



VK-V72

## DIGITAL VOLTMETER



VK-V72-T  
& VK-V96-T



VK-V72-T2

### FEATURES

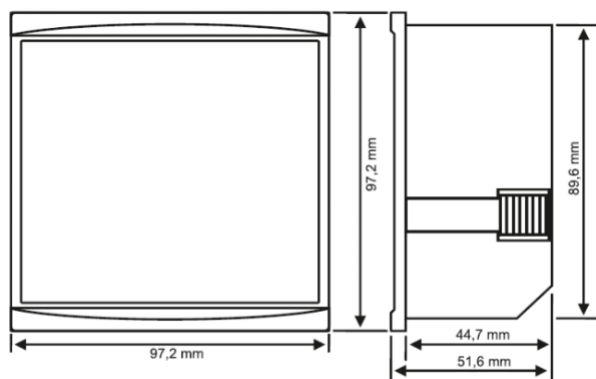
Accuracy:	±1% (at 10%-100% of the full scale)
Ambient temperature (operation):	-20 C ~ +55 C
Operating Altitude	< 2000 m
Ambient Humidity (operation):	15% - 95%
Weight:	0.3 kg max
Insulation Class (Front Panel):	IP41
Depth :	44.7 mm (low depth)
Panel Hole Size	91x91 (VK-V96, VK-V96-T, VK-V96-T2), 68x68(VK-V72, VK-V72-T)

### TECHNICAL DATA

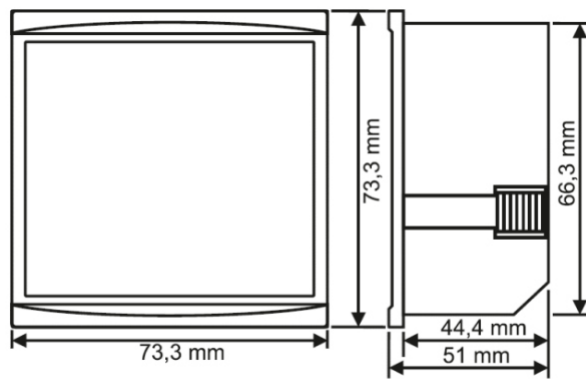
Operating Voltage (Un):	150-260VAC
Operating Frequency:	1-400 Hz
Operating Power:	<4 VA
Input Measuring Range:	0V-300V (other options are available)
Wire Thickness:	1.5 mm <sup>2</sup>

### RANGE

VK-V72	Digital Voltmeter 72 x 72
VK-V96	Digital Voltmeter 96 x 96
VK-V72-T	Digital Voltmeter 3-ph, 72 x 72, Selector
VK-V96-T	Digital Voltmeter 3-ph, 96 x 96, Selector
VK-V96-T2	Digital Voltmeter 3-ph, 96 x 96, 3-display



VK-V96, VK-V96-T, VK-V96-T2



VK-V72, VK-V72-T

# DIGITAL FREQUENCY METER



## FEATURES

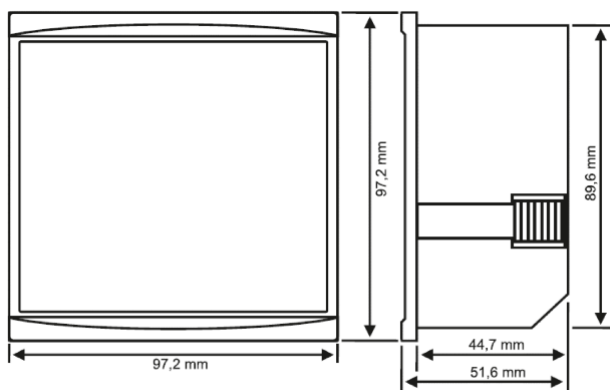
Accuracy:	±1% (at 10%-100% of the full scale)
Ambient temperature (operation):	-20 C ~ +55 C
Operating Altitude	< 2000 m
Ambient Humidity (operation):	15% - 95%
Weight:	0.22 kg max
Insulation Class (Front Panel):	IP41
Depth :	44.7 mm (low depth)
Panel Hole Size	91x91 (VK-F96, 68x68(VK-A72))

## TECHNICAL DATA

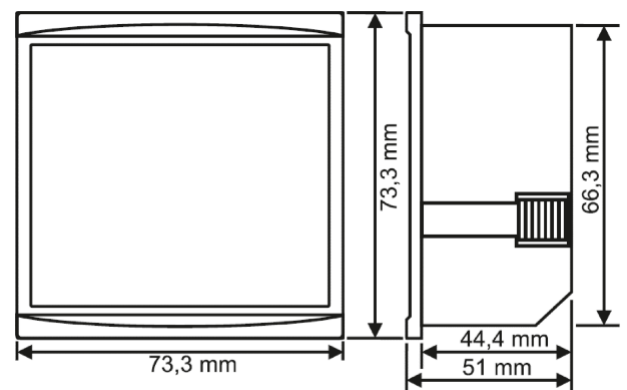
Operating Voltage (Un):	150-260VAC
Operating Frequency:	50 / 60 Hz
Operating Power:	<4 VA
Input Measuring Range:	1-400 Hz
Wire Thickness:	1.5 mm <sup>2</sup>

## RANGE

VK-F72	Digital Frequency 72 x 72
VK-F96	Digital Frequency 96 x 96



VK-F96



VK-F72