



LED ECO Downlight

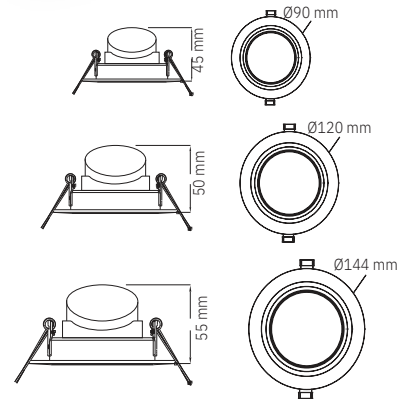
Features & Benefits

- Aluminium profile for good heat dissipation.
- Color temperatures 3000K, 4000K and 6000K
- Working Temperature: -20°C ~ 40°C.
- Built-in Driver.
- Warranty: 1 year
- Rated life 30,000 hours

Applications

Interior retail, display, residential, commercial applications where lamp quality, reliability and performance is essential, in particular locations such as public spaces, reception areas, hotels and health sectors.

LED ECO Downlight



Specifications

CODE	WATTS	VOLTAGE	CRI	CCT	LUMENS (LM)			BEAM	DIM (MM)	CUT OUT (MM)
					3000K	4000K	6000K			
CLS-EDL-7W	7W	100-240V	Ra>80	3000K / 4000K / 6000K	500 / 525 / 550			38°	Ø90 X 45	Ø70-75
CLS-EDL-12W	12W				1000 / 1050 / 1090			45°	Ø120 X 50	Ø90 - 95
CLS-EDL-18W	18W				1400 / 1435 / 1460				Ø144 X 55	Ø120 - 125

BEAM ANGLE

