

# Tiandy



TC-C35WS

Spec: I5/E/[M]/2.8mm/VJO

# 5MP Fixed Starlight IR Bullet Camera

Lite Series



## KEY FEATURES

- Default: Metal+Plastic, M: Metal Housing
- Up to 2592x1944@20fps
- S+265/H.265/H.264
- Min. illumination Color: 0.002Lux@F1.6
- 120dB WDR
- Smart IR, IR Range: 50m
- Support tripwire and perimeter
- SD Card Slot, Reset Button
- Operating Conditions -40°C~60°C, 0~95% RH
- POE, IP67



**Tiandy Technologies Co.,Ltd.**

Email: [sales@tiandy.com](mailto:sales@tiandy.com) Tel: +86-22-58596178  
Website: [en.tiandy.com](http://en.tiandy.com) Fax: +86-22-58596048



## SPECIFICATIONS

| Camera                |   |
|-----------------------|---|
| Image Sensor          | 1/2.8" CMOS   |
| Signal System         | PAL/NTSC  |
| Min. Illumination     | Color: 0.002Lux@ (F1.6, ACG ON), B/W: 0Lux with IR  |
| Shutter Time          | 1s to 1/100,000s  |
| Day & Night           | Dual IR Cut Filter with Auto Switch   |
| Wide Dynamic Range    | 120dB   |
| Angle Adjustment      | Bracket, pan 0~360°, tilt 0~75°, roate 0~360°   |
| Lens                  |   |
| Lens Type             | Fixed   |
| Focus                 | 2.8mm/4mm   |
| Lens Mount            | M12   |
| Aperture              | F1.6, Fixed   |
| FOV                   | Horizontal field of view: 94.7° (2.8mm)/80° (4mm)   |
| Illuminator           |   |
| IR LEDs               | 2   |
| IR Range              | Up to 50m   |
| Wavelength            | 850nm   |
| White LEDs/Warmlights | N/A   |
| Compression Standard  |   |
| Video Compression     | S+265/H.265/H.264   |
| Video Bit Rate        | 32Kbps~6Mbps  |
| Audio Compression     | G.711/G.711U/ADPCM  |
| Audio Bit Rate        | 8K~48Kbps   |
| Image                 |   |
| Max. Resolution       | 2592×1944   |
| Main Stream           | PAL: 20fps (2592×1944, 2592×1520), 25fps (2560×1440, 2304×1296, 1920×1080, 1280×720)<br>NTSC: 20fps (2592×1944, 2592×1520), 25fps (2560×1440), 30fps (2304×1296, 1920×1080, 1280×720) |
| Sub Stream            | PAL: 25fps (704×576, 704×288, 640×360, 352×288)<br>NTSC: 30fps (704×480, 704×240, 640×360, 352×240)   |
| Third Stream          | N/A   |
| Image Setting         | Saturation, brightness, contrast, sharpness, adjustable by client software or web browser   |
| Image Enhancement     | BLC/3D DNR/HLC  |
| ROI                   | N/A   |
| OSD                   | 16×16, 32×32, 48×48, 64×64, adaptable size, Letters Such as Week, Date, Time, Total 3 Regions   |
| Picture Overlay       | N/A   |
| Privacy Mask          | Yes, 4 regions  |
| Smart Defog           | Yes   |
| Feature               |   |
| Alarm Trigger         | Motion Detection, Mask Alarm, IP Address Conflict   |
| Video Analytics       | Tripwire, Perimeter   |
| Early Warning(EW)     | N/A   |



| Network                 |   |
|-------------------------|---|
| ANR                     | Yes, auto store video in SD card when NVR disconnected, and upload video to NVR when resumed connection (Only Support Tiandy ANR NVR)                               |
| Protocols               | TCP/IP, HTTP, FTP, DHCP, DNS, DDNS, MULTICAST, IPV4, NTP, UDP, Telnet, ICMP, RTP, RTSP, UPnP  |
| System Compatibility    | ONVIF (PROFILE S/T/G), SDK, CGI (IE), P2P(Mutually exclusive with Profile G)  |
| Remote Connection       | ≤7  |
| Client                  | Easy7, EasyLive   |
| Web Version             | Web5  |
| Interface               |   |
| Communication Interface | 1 RJ45 10M/ 100M self adaptive Ethernet port  |
| Audio I/O               | Mic in  |
| Alarm I/O               | N/A   |
| Reset Button            | Yes   |
| On-board storage        | SD card slot, up to 512 GB  |
| General                 |   |
| Firmware Version        | -   |
| Web Client Language     | 15 languages<br>English, Russian, Spanish, Korean, Italian, Turkish, Simple Chinese, Traditional Chinese, Thai, French, Polish, Dutch, Hebraism, Arabic, Vietnamese |
| Operating Conditions    | -40°C ~ 60°C, 0 ~ 95% RH  |
| Power Supply            | DC 12V±25%, PoE (802.3af)   |
| Power Consumption       | MAX: 6W (12V) MAX: 7W (PoE)   |
| Protection              | IP67  |
| Heater                  | N/A   |
| Dimensions              | 160.8×68×74.5mm (6.33×2.68×2.93inch)  |
| Weight                  | Metal+Plastic: 0.3Kg (0.66lb) Metal: 0.48Kg (1.06lb)  |

\* Listed resolutions are only selectable options. It does not mean that all streams can work at their maximum resolution at the same time.

#### AVAILABLE MODEL

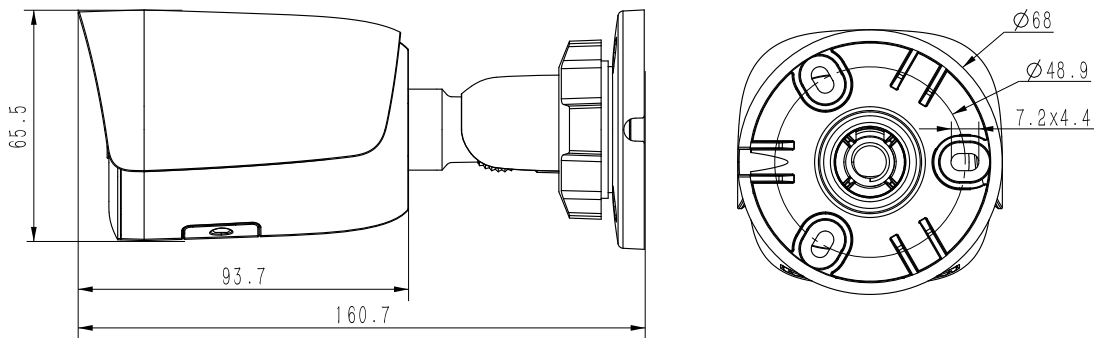
**TC-C35WS SPEC: I5/E/2.8MM/VJO**

**TC-C35WS SPEC: I5/E/Y/4MM/V4.0**

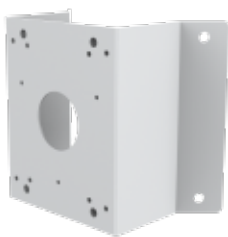
**TC-C35WS SPEC: I5/E/Y/M/2.8MM/V4.0**

**TC-C35WS SPEC: I5/E/Y/M/4MM/V4.0**

## DIMENSIONS



## ACCESSORIES



A35  
CORNER MOUNT



TC-P54BM SPEC: V5  
JUNCTION BOX



A36  
POLE MOUNT

DISTRIBUTED BY



**Tiandy Technologies Co.,Ltd.**

Email: [sales@tiandy.com](mailto:sales@tiandy.com)  
Website: [en.tiandy.com](http://en.tiandy.com)

Tel: +86-22-58596178  
Fax: +86-22-58596048