



NU6-II G

Low-voltage Surge Arrester

1. General

- 1.1 Certificates: international certificates are under proceeding;
- 1.2 Number of pole: 1, 2, 3, 4, 1P+N, 3P+N;
- 1.3 Electric ratings: 230/400V, AC50/60Hz;
- 1.4 Application: Protect electric system and on-loading electrical apparatus from thunder and instantaneous over-voltage;
- 1.5 Standard: IEC/EN 61643-11



2. Technical data

Model	Max. continuous operational voltage U_c (V~)	Level of protection U_p (kV)	Maximum discharge current I_{max} (8/20 μ s) (kA)	Nominal discharge current I_n (8/20 μ s) (kA)
NU6-II G(F)	275	1.5	40	20
	320	1.6		
	385	1.8		
	440	2.0		
	255(NPE)	1.5	65	30
	275	1.6		
	320	1.8		
	385	2.0		
440	2.2			

Auxiliary contact	Configurations	Rated voltage U_n (V)	Rated current I_n (A)
contact	1NO+1NC	AC250	0.5

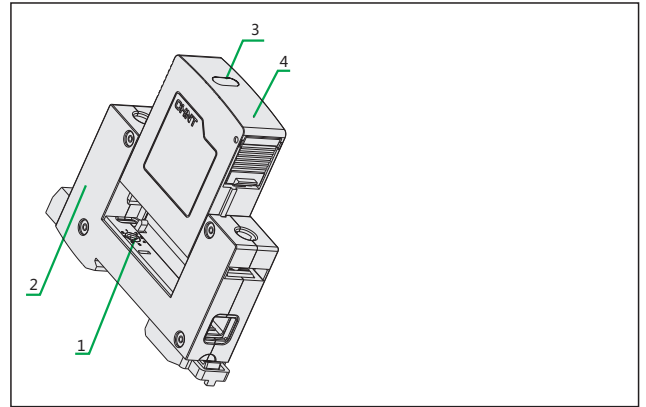
3. How to select surge protectors

- a. The voltage should be $\leq U_c$;
- b. $U_p <$ maximum impulse withstands;
- c. Different protectors should be selected according to various grounding system and protection mode.

Model	Max. continuous operational voltage U_c (V~)	Applicable grounding system	Protection mode	Circuits	Number of poles
NU6-II G(F)	275	TN-S	L-PE,L-N,N-PE	1 phase,3 phase 5 wire	1,2,4, 1P+N,3P+N
		TN-C	L-PEN	1 phase,3 phase 4 wire	1,3
		TT	L-N,N-PE	1 phase,3 phase 4 wire	1P+N,3P+N
	320	TN-S	L-PE,L-N,N-PE	1 phase,3 phase 5 wire	1,2,4, 1P+N,3P+N
		TN-C	L-PEN	1 phase,3 phase 4 wire	1,3
		TT	L-N,N-PE	1 phase,3 phase 4 wire	1P+N,3P+N
	385	TN-S	L-PE,L-N,N-PE	1 phase,3 phase 5 wire	1,2,4, 1P+N,3P+N
		TN-C	L-PEN	1 phase,3 phase 4 wire	1,3
		TT	L-PE, L-N,N-PE	1 phase,3 phase 4 wire	1,2,4, 1P+N,3P+N
	440	TN-S	L-PE,L-N,N-PE	1 phase,3 phase 5 wire	1,2,4, 1P+N,3P+N
		TN-C	L-PEN	1 phase,3 phase 4 wire	1,3
		TT	L-PE,L-N,N-PE	1 phase,3 phase 4 wire	1,2,4, 1P+N,3P+N
IT		L-PE	1 phase,3 phase 3wire	1,3	

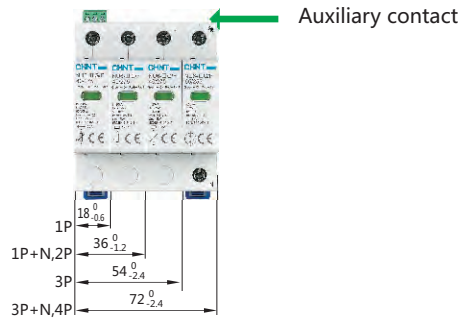
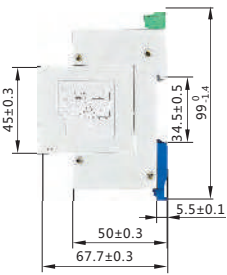
4. Functions

- 4.1 The product is composed of two independent components: removable protective module 4 and base 2;
- 4.2 When the product is damaged, the part 3 will indicate; please replace the removable protective module 4 at once and there is no need to cutoff the circuits;
- 4.3 The part 1 is for maximum continuous operational voltage indication as well as avoiding replacement with wrong module.



NU6- IIG/F (40, 65kA) with remote control port

5. Overall and mounting dimensions (mm)



NU6- IIG (40, 65kA) without remote control port

