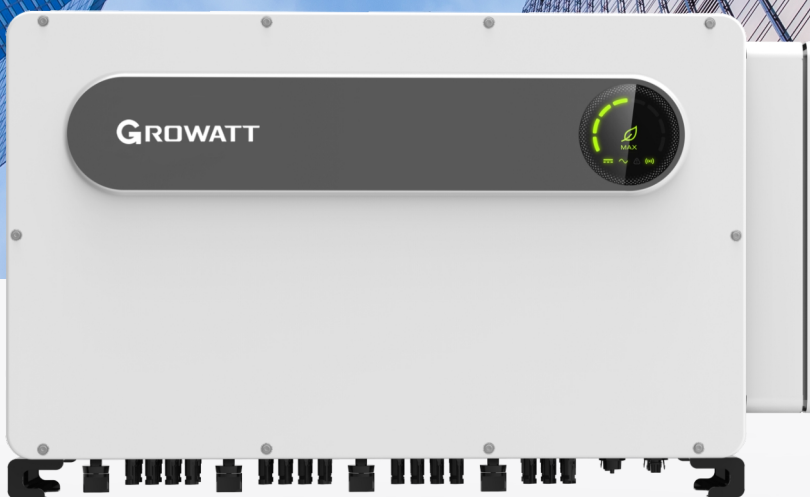
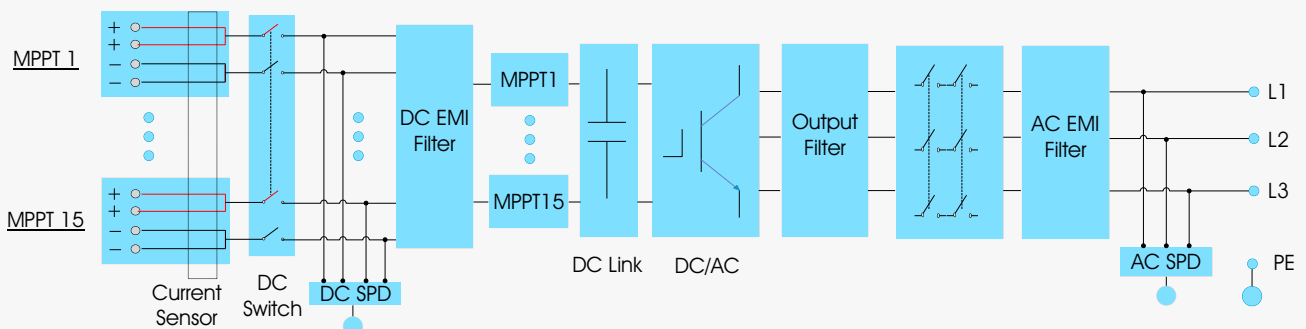


# MAX 185~253KTL3-X HV

- Up to 15 MPPTs, fuse free design
- MAX efficiency 99%, high yield
- Smart I/V scan and diagnosis
- Intelligent string monitoring
- DC side 2 in 1 connection enabled
- Optional Anti-PID/Night SVG/AFCI function
- Data storage up to 25 years



## Topology Diagram



Datasheet	MAX 185KTL3-X HV	MAX 216KTL3-X HV	MAX 250KTL3-X HV	MAX 253KTL3-X HV
<b>Input data (DC)</b>				
Max.DC power	277.5KW	324KW	375KW	379.5KW
Max. DC voltage	1500V			
Start voltage	500V			
Nominal voltage	1080V			
MPP voltage range	500V-1500V			
No. of MPP trackers	9	9	12	15
No. of PV strings per MPP tracker	2			
Max. input current per MPP tracker	30A			
Max. short-circuit current per MPP tracker	50A			
<b>Output data (AC)</b>				
AC nominal power	185KW	216KW	250KW	253KW
Max. AC apparent power	185KVA@30°C 175KVA@40°C 160KVA@50°C	216KVA@30°C 200KVA@40°C 192KVA@50°C	250KVA@30°C 230KVA@45°C 220KVA@50°C	253KVA@30°C 230KVA@45°C 220KVA@50°C
Nominal AC voltage (range*)	800V (640-920V)			
AC grid frequency (range*)	50/60 Hz (45-55Hz/55-65 Hz)			
Max. output current	133.5A	155.9A	180.4A	182.6A
Adjustable power factor	0.8leading ...0.8lagging			
THDI	<3%			
AC grid connection type	3W+PE			
<b>Efficiency</b>				
Max. efficiency	99.0%			
European efficiency	98.7%	98.7%	98.7%	98.5%
MPPT efficiency	99.9%			
<b>Protection devices</b>				
DC reverse polarity protection	Yes			
DC switch	Yes			
AC/DC surge protection	Type II / Type II			
Insulation resistance monitoring	Yes			
AC short-circuit protection	Yes			
Ground fault monitoring	Yes			
Grid monitoring	Yes			
Anti-islanding protection	Yes			
Residual-current monitoring unit	Yes			
String monitoring	Yes			
AFCI protection	Optional			
Anti-PID function	Optional			
LVRT	Yes			
HVRT	Yes			
Night SVG	Optional			
<b>General data</b>				
Dimensions (W / H / D)	1070/675/340mm			
Weight	95kg	95kg	99kg	109kg
Operating temperature range	-30°C ... +60°C			
Nighttime power consumption	< 1W			
Topology	Transformerless			
Cooling	Smart air cooling			
Protection degree	IP66			
Relative humidity	0-100%			
Altitude	4000m			
DC connection	Staubli MC4/Amphenol UTX			
AC connection	OT Terminal connectors (Max. 300mm <sup>2</sup> )			
Display	LED/WIFI+APP			
Interfaces: RS485/USB / PLC/4G/GPRS	Yes/Yes/Optional/Optional/Optional			
Warranty: 5 years / 10 years	Yes /Optional			