



# hopeSun8 ~ 33KTL



## High-efficiency

- 2 MPPTs with Max. efficiency 98.60%
- 20A input current, compatible with 210mm PV modules
- High precision & intelligent string detection



## User Friendly

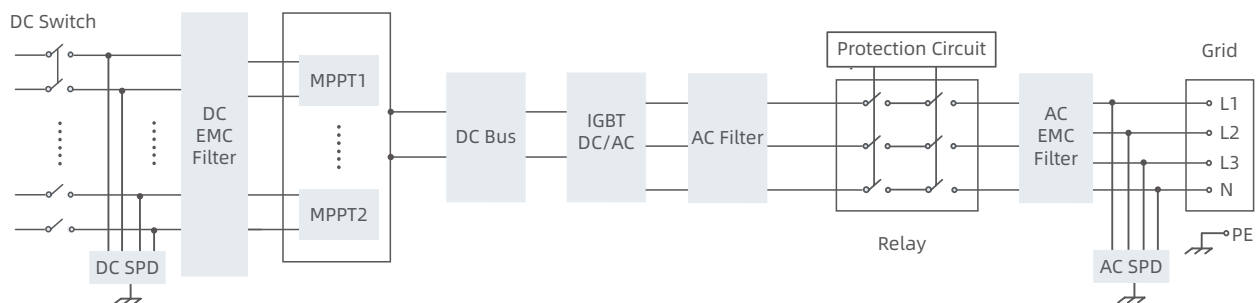
- Built-in zero export function interface
- Touch free commissioning via APP
- Remote firmware updates



## Reliability

- Under/over voltage protection
- Anti-islanding protection
- Built-in Type II DC&AC SPD

## Topological Graph



## Technical Parameters

Model	hopeSun 8KTL	hopeSun 10KTL	hopeSun 12KTL	hopeSun 15KTL	hopeSun 17KTL	hopeSun 20KTL	hopeSun 22KTL	hopeSun 25KTL	hopeSun 30KTL	hopeSun 33KTL	
<b>DC Input</b>											
Max. PV Input Power	12kW	15kW	18kW	22.5kW	25.5kW	30kW	33kW	37.5kW	45kW	49.5kW	
Max. Input Voltage	1100V										
Starting Voltage	180V										
MPPT Voltage Range	200 ~ 1000V										
MPPT Range Full Load	370 ~ 850V			450 ~ 850V			425 ~ 850V				
Max. Input Current Per MPPT	20A / 20A			26A / 20A		30A / 30A		40A / 40A			
Max. Short-circuit Current	30A / 30A			39A / 30A		45A / 45A		60A / 60A			
Number of DC Inputs	1 / 1			2 / 1		2 / 2			3 / 3		
Number of MPP Trackers	2										
<b>AC Output</b>											
Rated Output Power	8kW	10kW	12kW	15kW	17kW	20kW	22kW	25kW	30kW	33kW	
Max. Output Power	8.8kW	11kW	13.2kW	16.5kW	18.7kW	22kW	24.2kW	27.5kW	33kW	36.3kW	
Rated Output Voltage	230V / 400V (3P + N + PE)										
Operating Voltage Range	300 ~ 520V										
Rated Output Current	11.6A	14.5A	17.4A	21.7A	24.6A	28.9A	31.8A	36.1A	43.5A	47.6A	
Max. Output Current	12.7A	16.0A	19.1A	23.9A	27.0A	31.8A	35.0A	39.7A	47.8A	52.4A	
Rated Grid Frequency	50Hz / 60Hz										
Power Factor	>0.99 (0.8 leading ~ 0.8 lagging)										
Harmonic (THD)	<3% (at rated power)										
<b>Efficiency</b>											
Max. Efficiency	98.60%										
European Efficiency	98.10%							98.30%			
<b>Protection</b>											
Surge Protection	DC type II / AC type II										
Insulation Impedance Detection	Yes										
Residual Leakage Current Detection	Yes										
PV String Fault Detection	Yes										
PV Reverse Polarity Protection	Yes										
Anti-Islanding Protection	Yes										
Output Overcurrent Protection	Yes										
DC Switch	Yes										
Zero Export Function	Yes										
<b>General Parameters</b>											
Dimensions (W*H*D)	380*400*247mm					380*450*247mm					
Weight	≤22kg					≤25kg	≤30kg	≤35kg			
Protection Degree	IP65										
Operating Temperature Range	-40 ~ +60°C										
Cooling System	Natural cooling				Smart air cooling						
Topology	Transformerless										
Operating Altitude	4000m (>3000m derating)										
Display	LED, WLAN + APP										
Communication	Wi-Fi										
DC Connection Type	MC4										
AC Connection Type	SC terminal					Tube type terminal			OT/ DT terminal		

