



hopeSun36 ~ 50KTL



High-efficiency

- 2 MPPTs with Max. efficiency 98.60%
- 20A input current, compatible with 210mm PV modules
- High precision & intelligent string detection



User Friendly

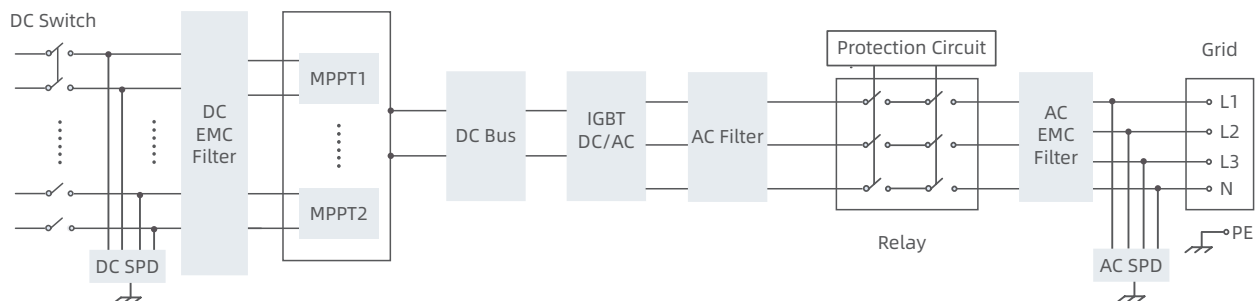
- Built-in zero export function interface
- Touch free commissioning via APP
- Compatible with Al and Cu AC cable



Reliability

- Smart air cooling
- Built-in Type II DC&AC SPD

Topological Graph



Technical Parameters

Model	hopeSun 36KTL	hopeSun 40KTL	hopeSun 50KTL
DC Input			
Max. PV Input Power	54kW	60kW	75kW
Max. Input Voltage	1100V		
Starting Voltage	180V		
MPPT Voltage Range	200 ~ 1000V		
MPPT Range Full Load	375 ~ 850V		450 ~ 850V
Max. Input Current Per MPPT	45A / 45A	54A / 54A	60A / 60A
Max. Short-circuit Current	67.5A / 67.5A	81A / 81A	90A / 90A
Number of DC Inputs	3 / 3	5 / 4	
Number of MPP Trackers	2		
AC Output			
Rated Output Power	36kW	40kW	50kW
Max. Output Power	39.6kW	44kW	55kW
Rated Output Voltage	230V / 400V (3P + N + PE)		
Operating Voltage Range	300 ~ 520V		
Rated Output Current	52.0A	57.7A	72.2A
Max. Output Current	57.2A	64A	80A
Rated Grid Frequency	50Hz / 60Hz		
Power Factor	>0.99 (0.8 leading ~ 0.8 lagging)		
Harmonic (THD)	<3% (at rated power)		
Efficiency			
Max. Efficiency	98.60%		
European Efficiency	98.30%		
Protection			
Surge Protection	DC type II / AC type II		
Insulation Impedance Detection	Yes		
Residual Leakage Current Detection	Yes		
PV String Fault Detection	Yes		
PV Reverse Polarity Protection	Yes		
Anti-Islanding Protection	Yes		
Output Overcurrent Protection	Yes		
DC Switch	Yes		
Zero Export Function	Yes		
General Parameters			
Dimensions (W*H*D)	520*520*265mm		
Weight	≤44kg		
Protection Degree	IP65		
Operating Temperature	-40 ~ +60°C		
Cooling System	Smart air cooling		
Topology	Transformerless		
Operating Altitude	4000m (>3000m derating)		
Display	LED, WLAN + APP		
Communication	RS485 / Wi-Fi		
DC Connection Type	MC4		
AC Connection Type	OT / DT terminal		

