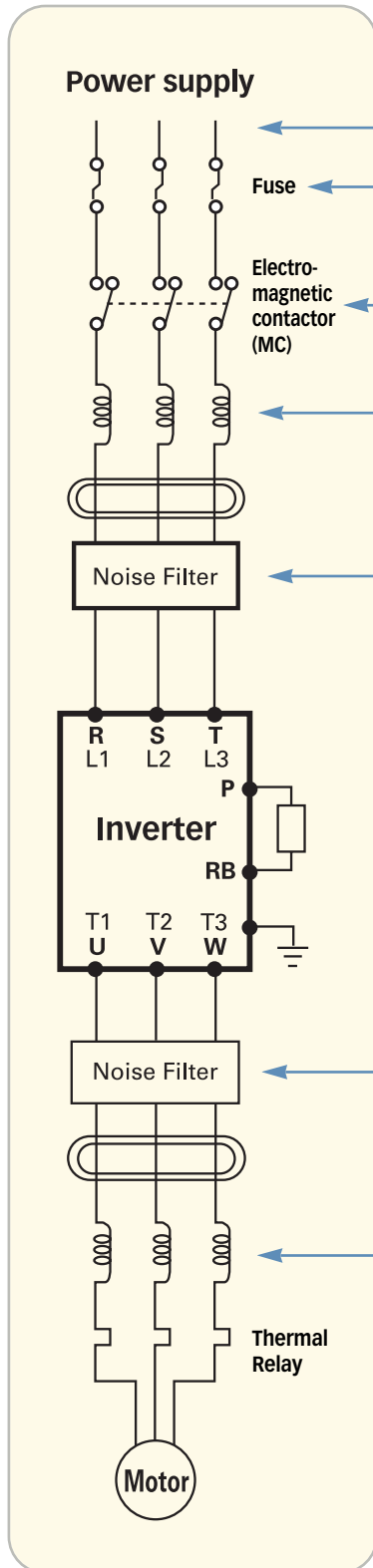


Application Wiring Apparatus & Options



Standard Apparatus (3-Phase input reference)

Motor output (kW)	Inverter model (N100 Series)	Wiring		Applicable equipment Fuse (class H)
		Power lines	Signal lines	
0.4	N100-004SF	1.25 mm ²	0.14 mm ²	5A
	N100-004LF			
0.75	N100-007SF	2.0 mm ²	0.75 mm ² shielded cable	10A
	N100-007LF			
1.5	N100-015SF	3.5 mm ²	~	15A
2.2	N100-015LF			
3.7	N100-022LF	1.25 mm ²	~	20A
0.4	N100-037LF			
0.75	N100-004HF	2.0 mm ²	0.14 mm ²	5A
1.5	N100-007HF			
2.2	N100-015HF	3.5 mm ²	0.75 mm ² shielded cable	10A
3.7	N100-022HF			
5.5	N100-055LF	5.5 mm ²	~	15A
	N100-055HF	2.0 mm ²		
7.5	N100-075LF	8.0 mm ²	~	50A
	N100-075HF	3.5 mm ²		

- Field wiring connection must be made in accordance with a UL-listed and CSA-certified closed-loop terminal connector sized for the wire gauge required. Connector must be fixed using the crimping tool specified by the connector manufacturer.
- Properly select the capacity of the circuit breaker to be used.
- Check power wire size if cable length exceeds 20 m.
- Use 0.75 mm² wire for the alarm signal wire.

Standard Apparatus (3-Phase input reference)

Name	Function
Input-side AC reactor for harmonic suppression/ power coordination/ power improvement	This is useful when harmonic suppression measures must be taken, when the main power voltage unbalance rate exceeds 3% and the main power capacity exceeds 500 kVA, or when a sudden power voltage variation occurs. It also helps to improve the power factor.
EMI filter	Reduces the conductive noise on the main power wires generated from the main power supply. Connect to the inverter primary side (input side).
Output noise filter	This is installed between the inverter and the motor to reduce noise radiated from the main control power wiring. It is useful for reducing radio-wave disturbance in a radio or TV sets and preventing malfunction of measuring instruments or sensors.
AC reactor for vibration reduction/thermal relay malfunction prevention	Vibration may increase when driving a general-purpose motor with an inverter as compared with commercial power operation. Connecting this reactor between the inverter and the motor allows reduction of motor pulsation. When the cable between the inverter and the motor is 10 m or more, inserting the reactor prevents thermal relay malfunction caused by harmonics resulting from inverter switching. A current sensor can be used instead of the thermal relay.

Remote Operator

- With the remote operator, you can control the parameters of the inverter and the commands by using the optional remote operator cable.
- The NOP100 enables parameter sets to be read out of the inverter or to be written into the inverter with READ or COPY button.

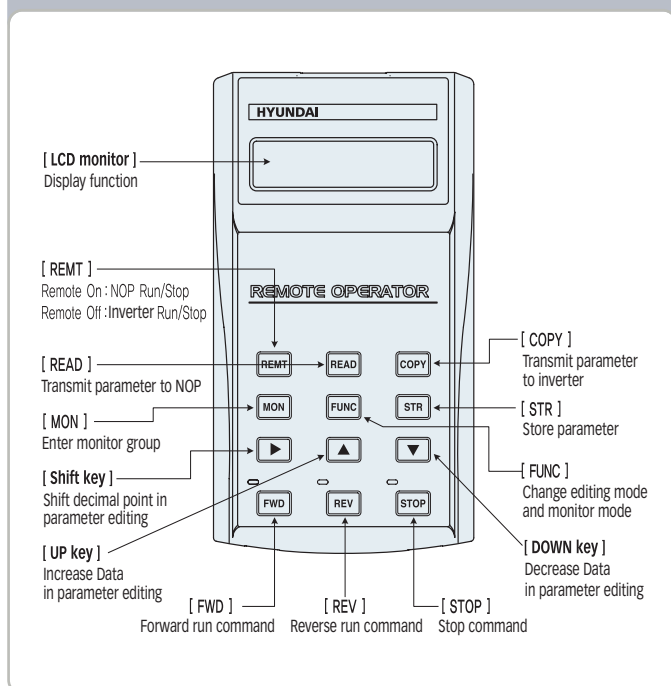
Specification

Item	Description	
Model name	NOP100	
External dimension	135 mm (H) × 75 mm (W) × 19 mm (D)	
Display	LCD	2 Line × 16 Character
	LED	Forward operation, reverse operation, Stop, mode changing display
Keypad	12 Key	
Communication method	RS485 (Modular connection)	
Function	Fault list storage count: 3 count Built-in READ/COPY function	
Connection cable length	1.5 m, 3 m	



Remote Operator (NOP100)

Key configuration



Connection diagram

