

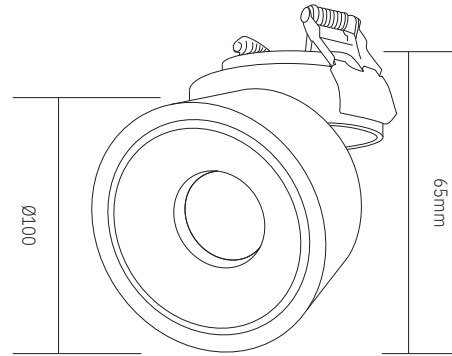
Features & Benefits

- Super bright light source.
- No stroboscopic illumination.
- Environmental-friendly, zero rated UV and infrared radiation.
- Pure aluminum body and reliable heat-output.
- High light efficiency with an estimated energy-saving of 90% compared with an incandescent lamp.

Applications

Shopping malls, sitting room, dining-room, study, bedroom, corridor and other indoor places.

Innova Recessed Spotlight



Specifications

| CODE | WATTS | VOLTAGE | CRI | CCT | LUMENS | BEAM | IP RATING | DIM (MM) | CUTOUT (MM) |
|----------------|-------|---------|-------|-------------------------|---------|------|-----------|-----------|-------------|
| CLS-INVTLR-15W | 15W | 85-265V | Ra>80 | 3000K 4000K 6000K | 1200 lm | 36° | IP20 | Ø100 X 65 | Ø65-95 |

BEAM ANGLE

