



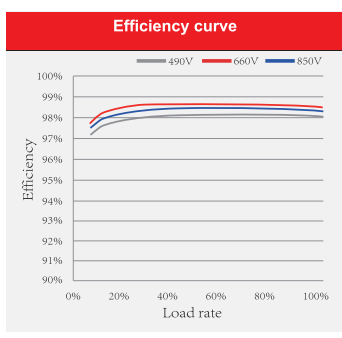
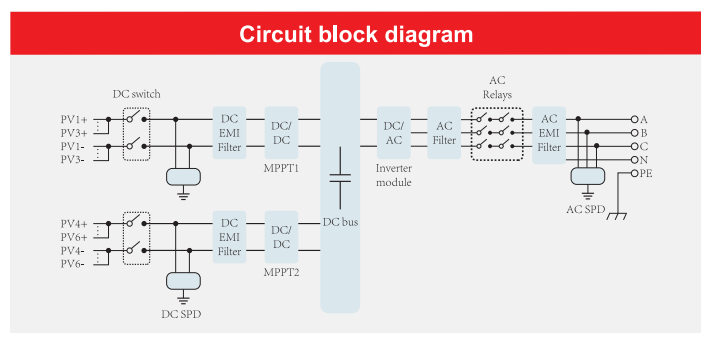
**10 YEARS WARRANTY**  
**5 YEARS REPLACEMENT WARRANTY**  
TERMS & CONDITIONS APPLY

# NitroX<sup>®</sup>

6.10.15.20KW 3Ph-5G

## PV Solar On Grid Inverter

- Max. Efficiency 98.6%**
- DUAL MPPT**
- RS485/RS232**
- Internal SPD**
- Zero Export (Optional)**
- IP65 Ingress Protection**
- High Power Factor**
- High Surge Endurance**



**Solarman Smart for enduser**

**Solarman Business for installers and EPC**

## Technical Data

Model	NITROX 6KW	NITROX 10KW	NITROX 15KW	NITROX 20KW
<b>Input Side</b>				
Max. DC Input Power (kW)	7.8	13	20	26
Max. DC Input Voltage (V)	1000			
Start-up DC Input Voltage (V)	250			
MPPT Operating Range (V)	200~850			
Max. DC Input Current (A)	13+13		13+26	32+32
Max. Short Circuit Current (A)	19.5+19.5		19.5+39	48+48
Number of MPPT / Strings per MPPT	2/2			
<b>Output Side</b>				
Rated Output Power (kW)	6	10	15	20
Max. Active Power (kW)	6.6	11	16.5	22
Nominal Output Voltage / Range (V)	3L/N/PE 380V/323V-418V, 400V/340V-440V			
Rated Grid Frequency (Hz)	50 / 60 (Optional)			
Operating Phase	Three phase			
Rated AC Grid Output Current (A)	8.7	14.5	21.7	29
Max. AC Output Current (A)	9.6	15.9	23.9	31.9
Output Power Factor	0.8 leading to 0.8 lagging			
Grid Current THD	<3%			
DC Injection Current (mA)	<0.5%			
Grid Frequency Range	47~52 or 57~62 (Optional)			
<b>Efficiency</b>				
Max. Efficiency	98.6%			
Euro Efficiency	97.8%			
MPPT Efficiency	>99%			
<b>Protection</b>				
DC Reverse-Polarity Protection	Yes			
AC Short Circuit Protection	Yes			
AC Output Overcurrent Protection	Yes			
Output Overvoltage Protection	Yes			
Insulation Resistance Protection	Yes			
Ground Fault Monitoring	Yes			
Anti-islanding Protection	Yes			
Temperature Protection	Yes			
Integrated DC Switch	Yes			
Remote software upload	Yes			
Remote change of operating parameters	Yes			
Surge protection	DC Type II / AC Type II			
<b>General Data</b>				
Size (mm)	330W×457H×185D	330W×508H×206D	333W×472H×202D	362W×527H×220D
Weight (kg)	10	10	15	20
Topology	Transformerless			
Internal Consumption	<1W (Night)			
Running Temperature	-25~65°C, >45°C derating			
Ingress Protection	IP65			
Noise Emission (Typical)	<45 dB			
Cooling Concept	Smart cooling			
Max. Operating Altitude Without Derating	2000m			
Designed Lifetime	>20 years			
Grid Connection Standard	CEI 0-21, VDE-AR-N 4105, NRS 097, IEC 62116, IEC 61727, G99, G98, VDE 0126-1-1, RD 1699, C10-11			
Operating Surroundings Humidity	0-100%			
Safety EMC / Standard	IEC/EN 61000-6-1/2/3/4, IEC/EN 62109-1, IEC/EN 62109-2			
<b>Features</b>				
DC Connection	MC-4 mateable			
AC Connection	IP65 rated plug			
Display	LCD1602			
Interface	RS485/RS232/Wifi/LAN			
Warranty	10 Years Warranty (5 Years Replacement Warranty)(T&C)			