



NITROX

35 KW 3-Ph-5G

PV Solar On Grid Inverter



Max. Efficiency
98.7%



Dual MPPT
Multi String



RS485/RS232



Internal SPD



Zero Export



IP65 Ingress Protection



High Power Factor



High Surge Endurance



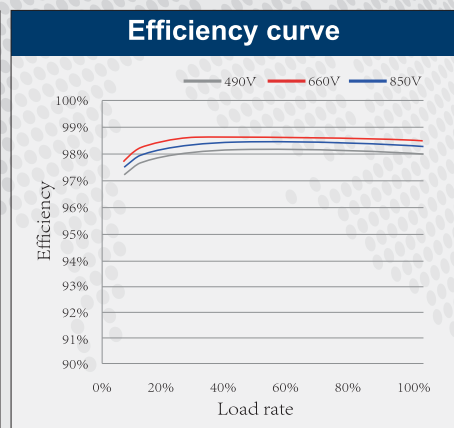
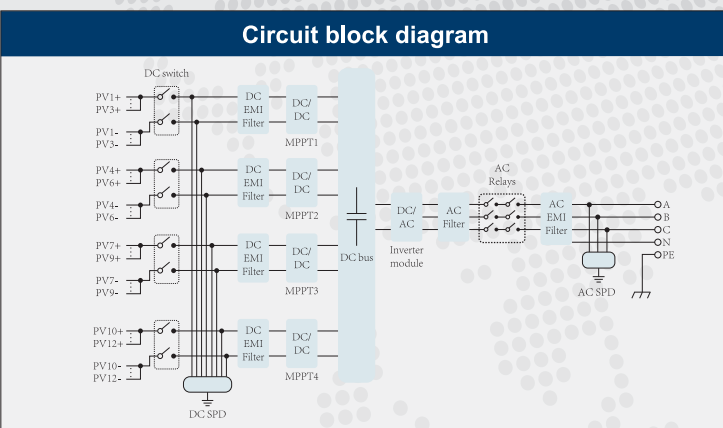
PV string current monitoring (Optional)



PV string current monitoring (Optional)



PID-Recovery function (optional)



NITROX

35 KW 3-Ph-5G

PV Solar On Grid Inverter

MODEL	NITROX 35KW
Energy source	Grid-connected PV
Input Side	
Max.DC Power(kW)	45.5
Max.DC Input Voltage(V)	1000
Start-up DC Input Voltage(V)	250
MPPT Operating Range(V)	200~850
Max.DC Input Current(A)	40+40+40
Number of MPPT/ Strings per MPPT	3 / 3
Output Side	
Rated Output Power(kW)	35
Max.Active Power(kW)	38.5
Rated AC Grid Voltage(V)	220 / 380, 230 / 400
AC Grid Voltage Range(V)	277 Vac ~460 Vac (this may vary with grid standards)
Rated Grid Frequency(Hz)	50 / 60 (Optional)
Operating Phase	Three phase
Rated AC Grid Output Current(A)	50.7
Max.AC Output Current(A)	55.8
Output Power Factor	0.8 leading to 0.8 lagging
Grid Current THD	<2%
DC Injection Current(mA)	<0.5%
Grid Frequency Range	47~52 or 57~62 (Optional)
Efficiency	
Max. Efficiency	98.7%
Euro Efficiency	98%
MPPT Efficiency	>99%
Protection	
DC Reverse-Polarity Protection	Yes
AC Short Circuit Protection	Yes
AC Output Overcurrent Protection	Yes
Output Overvoltage Protection	Yes
Insulation Resistance Protection	Yes
Ground Fault Monitoring	Yes
Surge Protection	DC Type II / AC Type II
Anti-Islanding Protection	Yes
Temperature Protection	Yes
Integrated DC Switch	Yes
General Data	
Size(mm)	647.5W×537H×303.5D
Weight(kg)	44.5
Topology	Transformerless
Internal Consumption	<1W (Night)
Running Temperature	-25~65 °C
Ingress Protection	IP65
Noise Emission(Typical)	<45 dB
Cooling Concept	Smart cooling
Max. Operating Altitude Without Derating	2000m
Designed Lifetime	>20 years
Grid Connection Standard	EN50549, IEC61727, VDE 0126-1-1, IEC62109-1-2
Operating Surroundings Humidity	0-100%
Safety EMC /Standard	IEC62109-1/-2, EN61000-6-1, EN61000-6-3
Features	
DC Connection	MC-4 mateable
AC Connection	IP65 rated plug
Display	LCD 240 × 160
Interface	RS232/WIFI/RS485/LAN