

## WP26-12 12Volt 26Ah

### Specifications

Nominal Voltage(V) **12V**

#### Nominal Capacity

|              |        |    |         |                |
|--------------|--------|----|---------|----------------|
| 20 hour rate | (1.3A  | to | 10.50V) | <b>26Ah</b>    |
| 10 hour rate | (2.47A | to | 10.50V) | <b>24.7Ah</b>  |
| 5 hour rate  | (4.42A | to | 10.20V) | <b>22.1Ah</b>  |
| 1 C          | (26A   | to | 9.60V)  | <b>14.73Ah</b> |
| 3 C          | (78A   | to | 9.60V)  | <b>10.4Ah</b>  |

Weight **Approx. 9.3kg(20.46Lbs.)**

Internal Resistance (at 1KHz) **Approx. 11 mΩ**

#### Maximum Discharge Current for

5 seconds: **390A**

#### Charging Methods at 25 (77 )

##### Cycle use:

Charging Voltage **14.4 to 15.0V**

Coefficient -5.0mV/ /cell

Maximum Charging Current : **7.8A**

##### Standby use:

Float Charging Voltage **13.5 to 13.8V**

Coefficient -3.0mV/ /cell

#### Operating Temperature Range

Charge **-15 (5 ) to 40 (104 )**

Discharge **-15 (5 ) to 50 (122 )**

Storage **-15 (5 ) to 40 (104 )**

#### Charge Retention (shelf life) at 20 (68 )

1 month **92%**

3 month **90%**

6 month **80%**

Case Material **ABS UL94 HB**

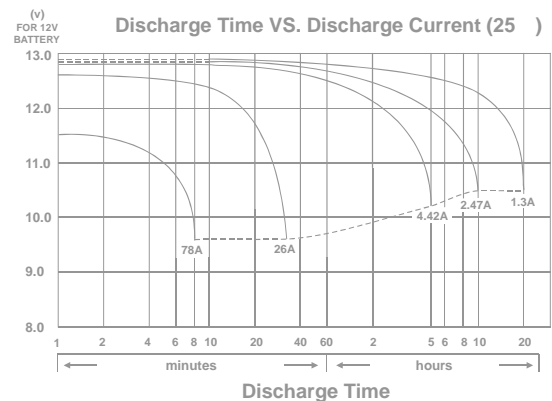
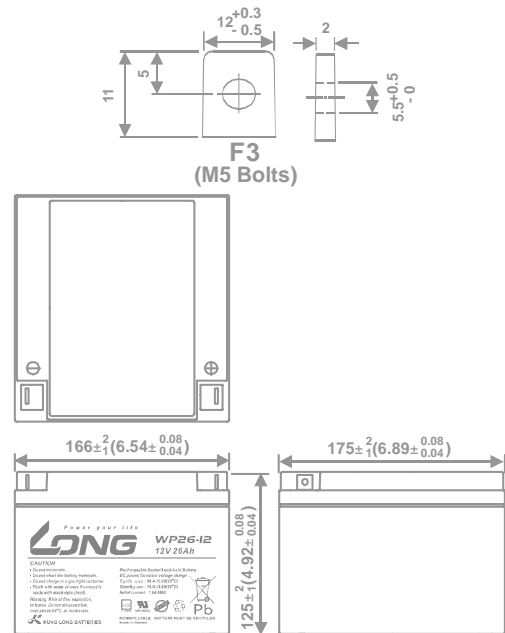
Option: Flammability resistance of (UL94 V-0)

Terminal **F3**

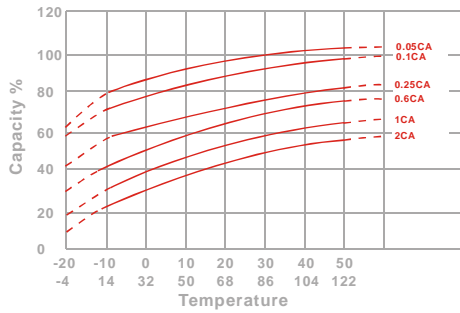


### Dimensions

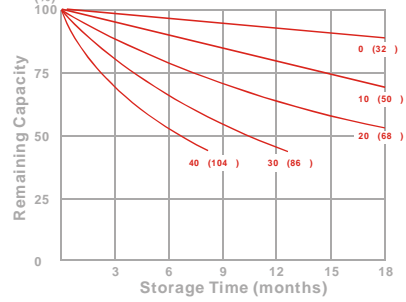
mm(inch)



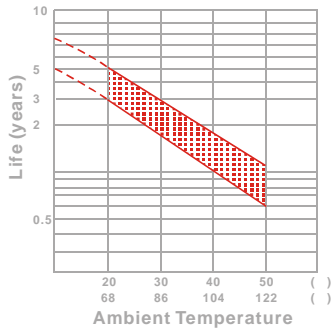
Effect of Temperature on Capacity 25 ( 77 )



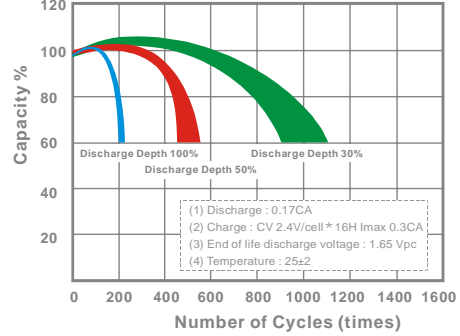
Capacity Retention Characteristic



Trickle (or float) Service Life



Cycle Service Life



## - PERFORMANCE DATA

Discharge Rates in Watts to Various End Voltages at 25 ( 77 )

| End Voltage |     | 1.85V | 1.80V | 1.75V | 1.70V | 1.67V | 1.65V | 1.60V |
|-------------|-----|-------|-------|-------|-------|-------|-------|-------|
| 5           | min | 147   | 161   | 173   | 185   | 191   | 196   | 208   |
| 10          | min | 108   | 114   | 119   | 125   | 128   | 131   | 135   |
| 15          | min | 78.7  | 84.0  | 88.2  | 92.2  | 94.2  | 96.0  | 99.5  |
| 30          | min | 42.3  | 45.3  | 47.2  | 48.7  | 49.5  | 50.3  | 51.3  |
| 60          | min | 30.2  | 31.7  | 32.4  | 32.8  | 33.2  | 33.5  | 33.8  |
| 120         | min | 19.2  | 19.8  | 20.2  | 20.7  | 20.8  | 21.0  | 21.2  |
| 180         | min | 12.8  | 13.2  | 13.4  | 13.6  | 13.6  | 13.7  | 13.8  |
| 240         | min | 10.3  | 10.5  | 10.7  | 10.8  | 10.9  | 10.9  | 11.0  |
| 300         | min | 8.75  | 8.90  | 8.98  | 9.07  | 9.10  | 9.15  | 9.37  |
| 600         | min | 5.42  | 5.52  | 5.58  | 5.66  | 5.68  | 5.72  | 5.75  |
| 1200        | min | 2.62  | 2.69  | 2.74  | 2.78  | 2.80  | 2.82  | 2.83  |

- Discharge Rates in Amperes to Various End Voltages at 25 ( 77 )

| End Voltage |     | 1.85V | 1.80V | 1.75V | 1.70V | 1.67V | 1.65V | 1.60V |
|-------------|-----|-------|-------|-------|-------|-------|-------|-------|
| 5           | min | 78.9  | 92.9  | 103   | 109   | 111   | 113   | 115   |
| 10          | min | 55.6  | 62.1  | 64.2  | 68.2  | 70.4  | 72.3  | 75.7  |
| 15          | min | 40.8  | 46.4  | 49.8  | 52.6  | 54.3  | 54.9  | 56.2  |
| 30          | min | 21.4  | 23.8  | 25.2  | 26.5  | 27.2  | 27.8  | 28.8  |
| 60          | min | 15.3  | 16.1  | 16.5  | 16.9  | 17.1  | 17.3  | 17.5  |
| 120         | min | 9.34  | 9.72  | 9.87  | 10.0  | 10.1  | 10.2  | 10.3  |
| 180         | min | 6.45  | 6.63  | 6.72  | 6.83  | 6.87  | 6.92  | 6.99  |
| 240         | min | 5.48  | 5.61  | 5.69  | 5.76  | 5.79  | 5.84  | 5.91  |
| 300         | min | 4.77  | 4.86  | 4.93  | 5.00  | 5.02  | 5.05  | 5.08  |
| 600         | min | 2.55  | 2.61  | 2.65  | 2.69  | 2.71  | 2.74  | 2.77  |
| 1200        | min | 1.29  | 1.34  | 1.36  | 1.38  | 1.39  | 1.40  | 1.43  |

All data on the spec. sheet is an average value:

The tolerance range : X<6min(+15%~-15%), 6min X<10min(+12%~-12%),10min X < 60min(+8%~-8%), X 60min(+5%~-5%)

051016-1H



Head Quarter Service - TEL: +886-49-2254-777 FAX: +886-49-2255-139 E-mail: sales@mail.klb.com.tw  
USA Customer Service - TEL: +1-949-328-7936 FAX: +1-949-266-9917 E-mail: sales@kunglong.com  
Vietnam Customer Service - TEL: +84-72-3779666 FAX: +84-72-3779476 E-mail: sales@mail.klb.com.tw