



NITROX
50, 75, 100 KW 3-Ph-5G
PV Solar On Grid Inverter

Max. Efficiency 98.9%

4 MPPT

6 MPPT Only for 100 KW

Internal SPD

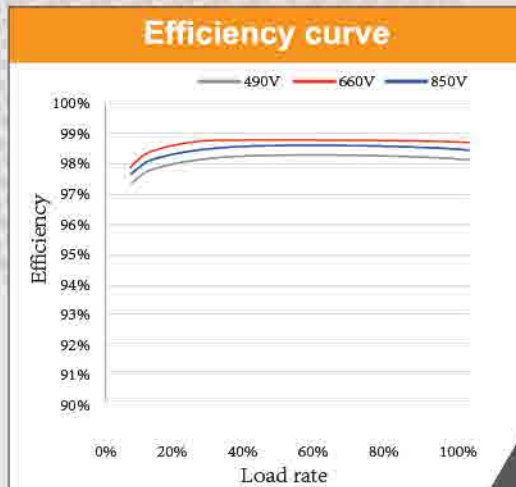
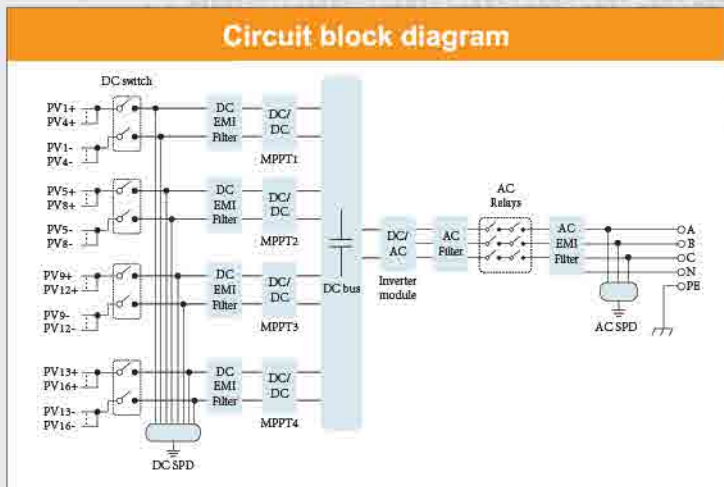
Zero Export

RS485/RS232

High Power Factor

High Surge Endurance

IP65 Ingress Protection



NITROX

50, 75, 100 KW 3-Ph-5G

PV Solar On Grid Inverter

MODEL	NITROX 50KW	75KW	100KW
Energy source	Grid-connected PV		
Input Side			
Max.DC Power(kW)	65	97.5	150
Max.DC Input Voltage(V)	1000		
Start-up DC Input Voltage(V)	250		
MPPT Operating Range(V)	200~850		
Max.DC Input Current(A)	40+40+40+40	40+40+40+40	40+40+40+40+40+40
Number of MPPT/ Strings per MPPT	4/3	4/4	6/4
Output Side			
Rated Output Power(kW)	50	75	100
Max.Active Power(kW)	55	82.5	110
Rated AC Grid Voltage(V)	380 / 400		230 / 400
AC Grid Voltage Range(V)	277~460		
Rated Grid Frequency(Hz)	50/60 (Optional)		
Operating Phase	Three phase		
Rated AC Grid Output Current(A)	72.4	108.7	144.9
Max.AC Output Current(A)	79.64	119.6	159.4
Output Power Factor	>0.99		
Grid Current THD	<3%		
DC Injection Current(mA)	<0.5%		
Grid Frequency Range	47~52 or 57~62(Optional)		
Efficiency			
Max. Efficiency	98.9%		
Euro Efficiency	98.3%		
MPPT Efficiency	>99%		
Protection			
DC Reverse-Polarity Protection	Yes		
AC Short Circuit Protection	Yes		
AC Output Overcurrent Protection	Yes		
Output Overvoltage Protection	Yes		
Insulation Resistance Protection	Yes		
Ground Fault Monitoring	Yes		
Surge Protection	Yes		
Islanding Protection	Yes		
Temperature Protection	Yes		
Integrated DC Switch	Optional		
General Data			
Size(mm)	700W*575H*297D		
Weight(kg)	60		
Topology	Transformerless		
Internal Consumption	<1W(Night)		
Running Temperature	-25~60 °C		
Ingress Protection	IP65		
Noise Emission(Typical)	<30 dB		
Cooling Concept	Intelligent cooling		
Max. Operating Altitude Without Derating	2000m		
Designed Lifetime	>20 years		
Grid Connection Standard	EN50438,IEC61727,VDE4105,NB/T32004(CQC),IEC62109-1-2		
Operating Surroundings Humidity	0-100%		
Staffy EMC /Standard	IEC62109-1/-2,AS3100,EN61000-6-1		
Features			
DC Connection	MC-4 mateable		
AC Connection	IP65 rated plug		
Display	LCD 240 × 160		
Interface	RS485/RS232/Wifi/LAN		