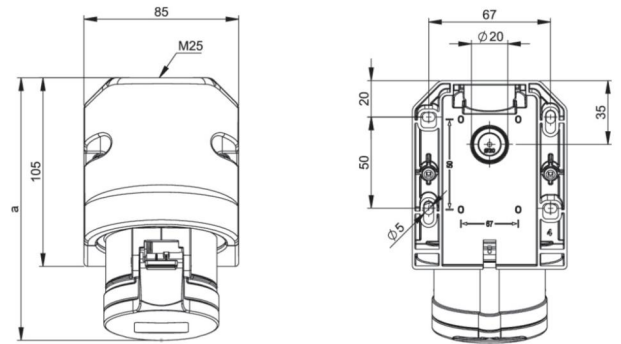


|                        |                                                                                                                                                                                                                                                                                                                                                             |
|------------------------|-------------------------------------------------------------------------------------------------------------------------------------------------------------------------------------------------------------------------------------------------------------------------------------------------------------------------------------------------------------|
| article#               | <b>123-6tt</b>                                                                                                                                                                                                                                                                                                                                              |
| article description    | <b>CEE-wall mounted socket 32A 3p 6h IP44 TT</b>                                                                                                                                                                                                                                                                                                            |
| description long       | CEE-wall mounted socket 32A 3p 6h IP44 TT<br>housing material: PA6<br>rated current: 32A<br>number of poles: 3 (2P+PE)<br>clock-position: 6h<br>rated voltage/frequency: 200-250V~ / 50+60Hz<br>contacts: brass<br>connection technology: screwless terminals (TT)<br>cable entry: top and rear<br>inc. threaded cable grommet<br>IP protection class: IP44 |
| GTIN (EAN)             | 9003399581687                                                                                                                                                                                                                                                                                                                                               |
| country of origin      | AT                                                                                                                                                                                                                                                                                                                                                          |
| customs number         | 85366990                                                                                                                                                                                                                                                                                                                                                    |
| net weight             | 0.274 kg                                                                                                                                                                                                                                                                                                                                                    |
| packaging quantity     | 10                                                                                                                                                                                                                                                                                                                                                          |
| minimum order quantity | 10                                                                                                                                                                                                                                                                                                                                                          |

|                                 |                       |
|---------------------------------|-----------------------|
| ETIM 9.0                        | EC001321              |
| Model                           | Surface mounted       |
| IEC-amperage                    | 32 A                  |
| Number of poles                 | 3                     |
| Voltage according to EN 60309-2 | 230 V (50+60 Hz) blue |
| Clock hour position             | 6 h                   |
| Identification colour           | Blue                  |
| Degree of protection (IP)       | IP44                  |
| Connection system               | Screw less terminal   |
| Cable entry                     | Gland nut             |
| Material                        | Plastic               |
| Contact material                | CuZn                  |
| Surface treatment contacts      | Untreated             |
| Type of fastening               | Inner lying mounting  |

|                        |                        |
|------------------------|------------------------|
| a                      | 155 mm                 |
| b                      | 106 mm                 |
| wire flexible          | 2,5-6 mm <sup>2</sup>  |
| wire solid             | 2,5-10 mm <sup>2</sup> |
| housing screws         | 110 Ncm                |
| dismantling length     | 50 mm                  |
| stripping length       | 12-14 mm               |
| ambient temperature    | -25 – 40 °C            |
| temperature resistance | -25 – 80 °C            |



b=Höhe/height  
Neigung/angle=15°



<https://www.pcelectric.at/shop/en/?func=detail&artnr=123-6tt>