

# Product datasheet

Specifications



## EasyPact CVS100F circuit breaker, 36 kA at 415 VAC, 4P 3d, TM-D 50 A trip unit

LV510344

### Main

Range	EasyPact
Product Name	EasyPact CVS
Device Short Name	CVS100F
Product Or Component Type	Circuit breaker
Device Application	Distribution
Poles Description	4P
Protected Poles Description	3D
Earth Leakage Protection (Vigi Add On)	Without
[In] Rated Current	50 A at 40 °C
Network Type	AC
Utilisation Category	Category A
[Icu] Breaking Capacity	36 kA Icu at 440 V AC 50/60 Hz conforming to IEC 60947-2 36 kA Icu at 380/415 V AC 50/60 Hz conforming to IEC 60947-2 70 kA Icu at 220/240 V AC 50/60 Hz conforming to IEC 60947-2
Trip Unit Name	TM-D
Trip Unit Technology	Thermal-magnetic
Trip Unit Rating	50 A at 40 °C
Protection Type	Overload protection (thermal) Short-circuit protection (magnetic)

### Complementary

[Uimp] Rated Impulse Withstand Voltage	8 kV conforming to EN/IEC 60947-2
Network Frequency	50/60 Hz
Breaking Capacity Code	F
[Ics] Rated Service Breaking Capacity	18 kA at 440 V AC 50/60 Hz conforming to IEC 60947-2 36 kA at 380/415 V AC 50/60 Hz conforming to IEC 60947-2 70 kA at 220/240 V AC 50/60 Hz conforming to IEC 60947-2
Neutral Position	Left
Mechanical Durability	30000 cycles
Electrical Durability	12000 cycles 415 V In conforming to IEC 60947-2
Control Type	Toggle
Thermal Protection Adjustment Range	35...50 A
Neutral Protection Setting	No protection (3D)

Long Time Pick-Up Adjustment Type I <sub>r</sub>	Adjustable
Long Time Pick-Up Adjustment Range	0.7...1 x I <sub>n</sub>
Long Time Delay Adjustment Type	Fixed
Instantaneous Pick-Up Adjustment Type I <sub>i</sub>	Fixed
Instantaneous Pick-Up Adjustment Range	500 A
Contact Position Indicator	Yes
Mounting Mode	Fixed
Mounting Support	Backplate
Upside Connection	Front
Downside Connection	Front
Connections - Terminals	Screw connection
Connection Pitch	35 mm
Compatibility Code	CVS100
Width	140 mm
Depth	86 mm
Height	161 mm
Net Weight	2.2 kg

## Environment

Standards	IEC 60947-2 EN 60947-2
Product Certifications	IEC GOST
Electrical Shock Protection Class	Class II
Pollution Degree	3 conforming to IEC 60664-1
IP Degree Of Protection	IP40
Ambient Air Temperature For Operation	-25...70 °C
Ambient Air Temperature For Storage	-50...85 °C

## Packing Units

Unit Type Of Package 1	PCE
Number Of Units In Package 1	1
Package 1 Height	13.978 cm
Package 1 Width	14.672 cm
Package 1 Length	19.167 cm
Package 1 Weight	2153.1 g
Unit Type Of Package 2	S03
Number Of Units In Package 2	6
Package 2 Height	30 cm
Package 2 Width	30 cm
Package 2 Length	40 cm

---

Package 2 Weight 12.9186 kg

## Contractual warranty

---

Warranty 18 months

## Sustainability

**Green Premium™ label** is Schneider Electric's commitment to delivering products with best-in-class environmental performance. Green Premium promises compliance with the latest regulations, transparency on environmental impacts, as well as circular and low-CO<sub>2</sub> products.

**Guide to assessing product sustainability** is a white paper that clarifies global eco-label standards and how to interpret environmental declarations.

[Learn more about Green Premium >](#)

[Guide to assess a product's sustainability >](#)



Transparency RoHS/REACH

## Well-being performance

Mercury Free

Rohs Exemption Information Yes

## Certifications & Standards

Reach Regulation [REACH Declaration](#)

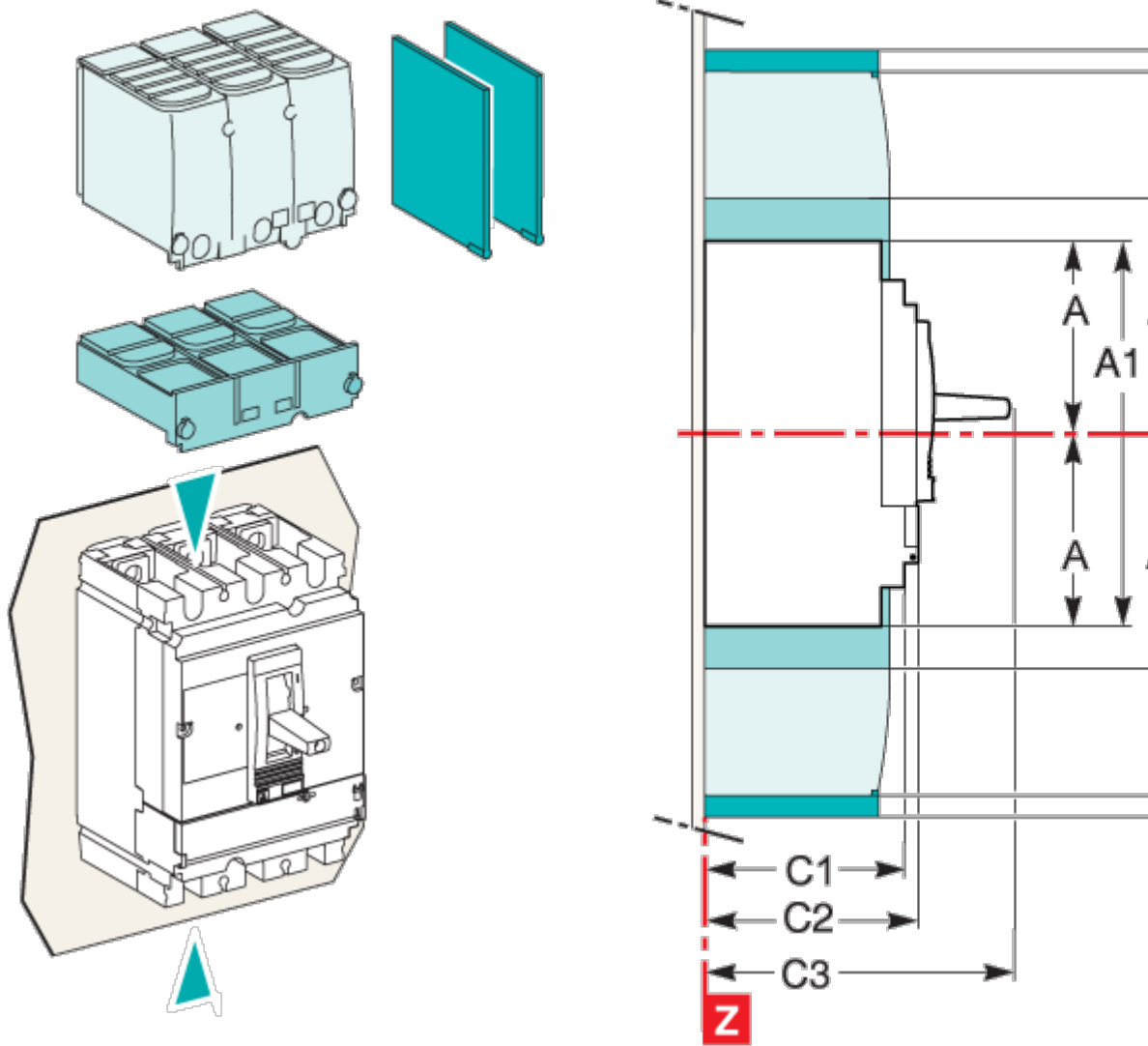
Eu Rohs Directive Compliant with Exemptions

China Rohs Regulation [China RoHS declaration](#)  
Product out of China RoHS scope. Substance declaration for your information

Environmental Disclosure [Product Environmental Profile](#)

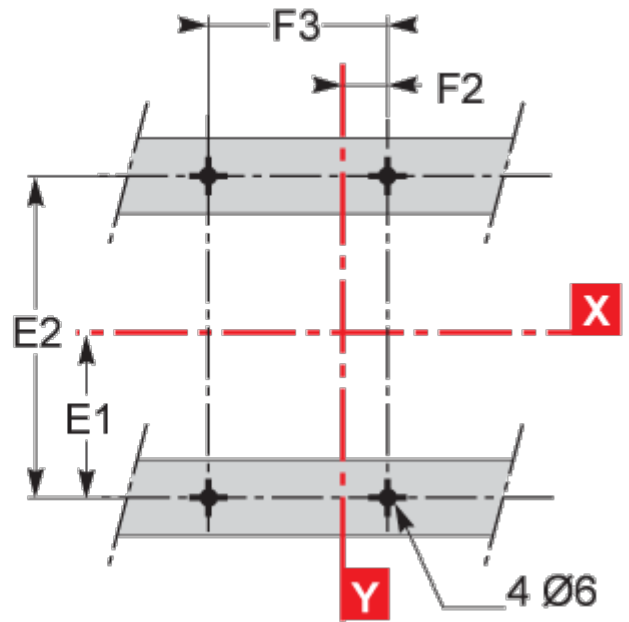
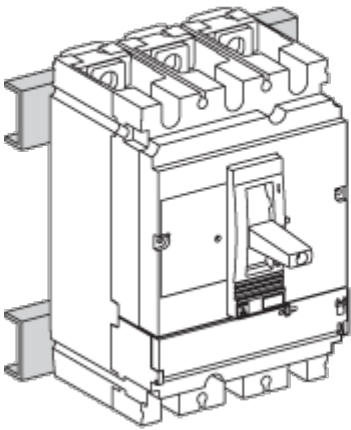
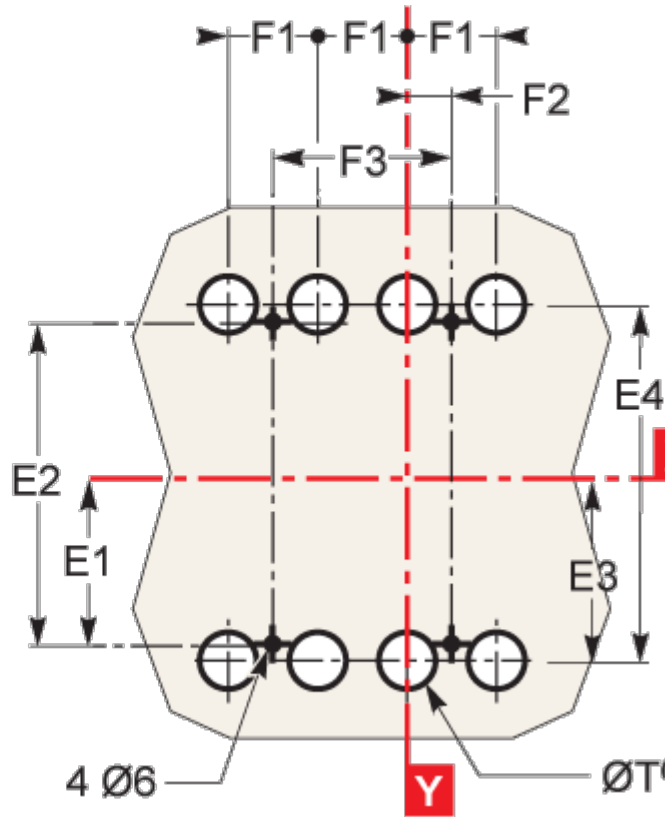
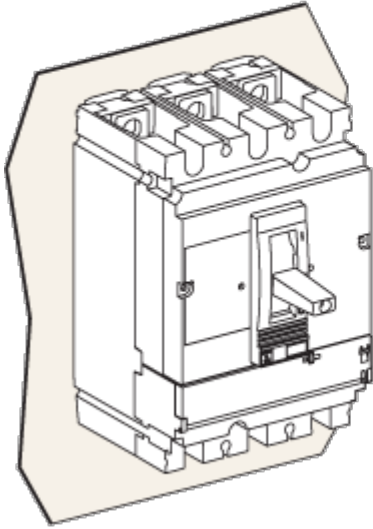
Weee The product must be disposed on European Union markets following specific waste collection and never end up in rubbish bins

Circularity Profile No need of specific recycling operations



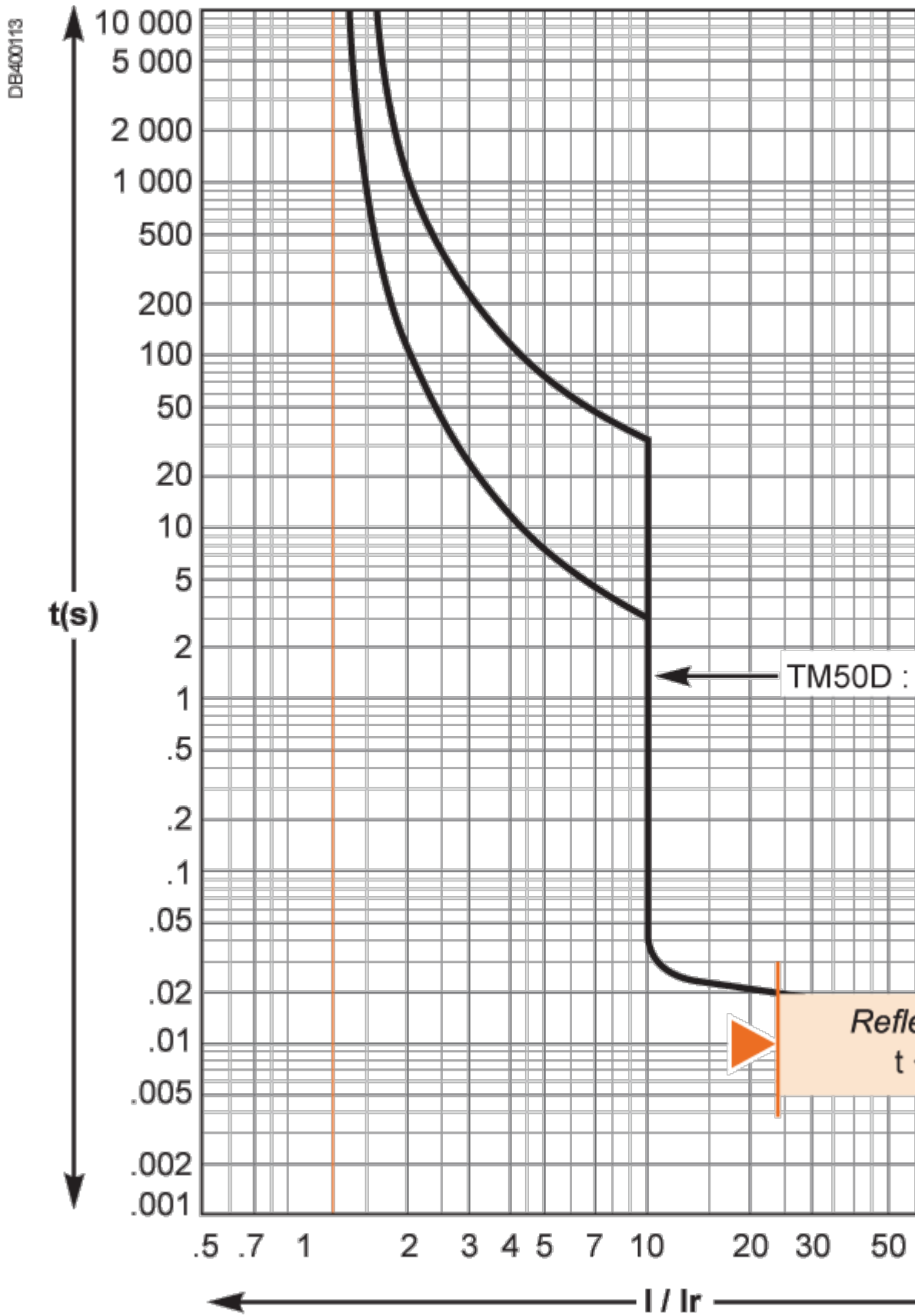
Type	A	A1	A2	A3	A4	A5	A6	A7	A8	A9	B	B1	B2	C1	C2	C3	E1
CMS100M63/250	66.5	161	64	140	170.5	155.5	236	109	220	353.5	52.5	105	140	81	66	111 <sup>(1)</sup>	62.5
CMS400/630	127.5	355	142.5	300	297	277.5	355	342.5	300	337	70	140	185	95.5	110	169	100
Type	E2	E3	E4	E5	E6	E7	E8	F1	F2	F3	G1	G2	G3	G4	G5	ØT	U
CMS100M63/250	125	70	140	137.5	200	145	215	35	17.5	70	85	75	13.5	23	17.5	34	y32
CMS400/630	200	113.5	227	200	300	213.5	327	45	22.5	90	-	-	-	-	-	32	y35

<sup>(1)</sup> C3=126mm for EasyPost CMS250MF.



Type	A	A1	A2	A3	A4	A5	A6	A7	A8	A9	B	B1	B2	C1	C2	C3	E1
CMS100H60/250	80.5	101	64	140	170.5	155.5	236	109	220	250.5	52.5	105	140	81	86	111 <sup>(1)</sup>	62.5
CMS400R30	127.5	255	142.5	200	287	227.5	355	142.5	300	337	70	140	185	95.5	110	168	100
Type	E2	E3	E4	E5	E6	E7	E8	F1	F2	F3	G1	G2	G3	G4	G5	ØT	U
CMS100H60/250	125	70	140	137.5	200	145	215	35	17.5	70	85	75	13.5	33	17.5	34	y32
CMS400R30	200	113.5	227	200	300	213.5	327	45	22.5	90	-	-	-	-	-	32	y35

<sup>(1)</sup> C3=126mm for EasyPost CMS2500.F



 Reflex tripping.

