

# Product datasheet

Specifications



circuit breaker, EasyPact  
CVS400F, 36kA at 415VAC, 400A,  
TM-D trip unit, 3P3d

LV540306

## Main

|  |  |
|--|--|
| Range                                  | EasyPact   |
| Product Name                           | EasyPact CVS   |
| Device Short Name                      | CVS400F  |
| Product Or Component Type              | Circuit breaker  |
| Device Application                     | Distribution   |
| Poles Description                      | 3P   |
| Protected Poles Description            | 3D   |
| Earth Leakage Protection (Vigi Add On) | Without  |
| [In] Rated Current                     | 400 A at 40 °C   |
| Network Type                           | AC   |
| Utilisation Category                   | Category A   |
| [Icu] Breaking Capacity                | 40 kA Icu at 220/240 V AC 50/60 Hz conforming to IEC 60947-2<br>36 kA Icu at 380/415 V AC 50/60 Hz conforming to IEC 60947-2<br>30 kA Icu at 440 V AC 50/60 Hz conforming to IEC 60947-2 |
| Trip Unit Name                         | TM-D   |
| Trip Unit Technology                   | Thermal-magnetic   |
| Trip Unit Rating                       | 400 A at 40 °C   |
| Protection Type                        | Short-circuit protection (magnetic)<br>Overload protection (thermal)   |

## Complementary

|  |  |
|--|--|
| [Uimp] Rated Impulse Withstand Voltage | 8 kV conforming to EN/IEC 60947-2  |
| Network Frequency                      | 50/60 Hz   |
| Breaking Capacity Code                 | F  |
| [Ics] Rated Service Breaking Capacity  | 40 kA at 220/240 V AC 50/60 Hz conforming to IEC 60947-2<br>36 kA at 380/415 V AC 50/60 Hz conforming to IEC 60947-2<br>23 kA at 440 V AC 50/60 Hz conforming to IEC 60947-2 |
| Mechanical Durability                  | 15000 cycles   |
| Electrical Durability                  | 6000 cycles 415 V In conforming to IEC 60947-2   |
| Control Type                           | Toggle   |
| Thermal Protection Adjustment Range    | 280...400 A  |
| Long Time Pick-Up Adjustment Type Ir   | Adjustable   |
| Long Time Pick-Up Adjustment Range     | 0.7...1 x In   |

|   |                  |
|---|------------------|
| <b>Long Time Delay Adjustment Type</b>          | Fixed            |
| <b>Instantaneous Pick-Up Adjustment Type li</b> | Adjustable       |
| <b>Instantaneous Pick-Up Adjustment Range</b>   | 5...10 x In      |
| <b>Contact Position Indicator</b>               | Yes              |
| <b>Mounting Mode</b>                            | Fixed            |
| <b>Mounting Support</b>                         | Backplate        |
| <b>Upside Connection</b>                        | Front            |
| <b>Downside Connection</b>                      | Front            |
| <b>Connections - Terminals</b>                  | Screw connection |
| <b>Connection Pitch</b>                         | 45 mm            |
| <b>Compatibility Code</b>                       | CVS400           |
| <b>Width</b>                                    | 140 mm           |
| <b>Depth</b>                                    | 110 mm           |
| <b>Height</b>                                   | 255 mm           |
| <b>Net Weight</b>                               | 4.7 kg           |

## Environment

|  |                             |
|--|-----------------------------|
| <b>Standards</b>                             | EN 60947-2<br>IEC 60947-2   |
| <b>Product Certifications</b>                | GOST<br>IEC                 |
| <b>Electrical Shock Protection Class</b>     | Class II                    |
| <b>Pollution Degree</b>                      | 3 conforming to IEC 60664-1 |
| <b>Ip Degree Of Protection</b>               | IP40                        |
| <b>Ambient Air Temperature For Operation</b> | -25...70 °C                 |
| <b>Ambient Air Temperature For Storage</b>   | -50...85 °C                 |

## Packing Units

|                                     |           |
|-------------------------------------|-----------|
| <b>Unit Type Of Package 1</b>       | PCE       |
| <b>Number Of Units In Package 1</b> | 1         |
| <b>Package 1 Height</b>             | 15.000 cm |
| <b>Package 1 Width</b>              | 16.000 cm |
| <b>Package 1 Length</b>             | 29.000 cm |
| <b>Package 1 Weight</b>             | 4.931 kg  |
| <b>Unit Type Of Package 2</b>       | S04       |
| <b>Number Of Units In Package 2</b> | 3         |
| <b>Package 2 Height</b>             | 30.000 cm |
| <b>Package 2 Width</b>              | 40.000 cm |
| <b>Package 2 Length</b>             | 60.000 cm |
| <b>Package 2 Weight</b>             | 15.443 kg |
| <b>Unit Type Of Package 3</b>       | P12       |
| <b>Number Of Units In Package 3</b> | 12        |

|                         |            |
|-------------------------|------------|
| <b>Package 3 Height</b> | 45.000 cm  |
| <b>Package 3 Width</b>  | 80.000 cm  |
| <b>Package 3 Length</b> | 120.000 cm |
| <b>Package 3 Weight</b> | 73.772 kg  |

## Contractual warranty

|                 |           |
|-----------------|-----------|
| <b>Warranty</b> | 18 months |
|-----------------|-----------|

## Sustainability

**Green Premium™ label** is Schneider Electric's commitment to delivering products with best-in-class environmental performance. Green Premium promises compliance with the latest regulations, transparency on environmental impacts, as well as circular and low-CO<sub>2</sub> products.

**Guide to assessing product sustainability** is a white paper that clarifies global eco-label standards and how to interpret environmental declarations.

[Learn more about Green Premium >](#)

[Guide to assess a product's sustainability >](#)



Transparency RoHS/REACH

## Well-being performance

Mercury Free

Rohs Exemption Information Yes

Pvc Free

## Certifications & Standards

Reach Regulation [REACH Declaration](#)

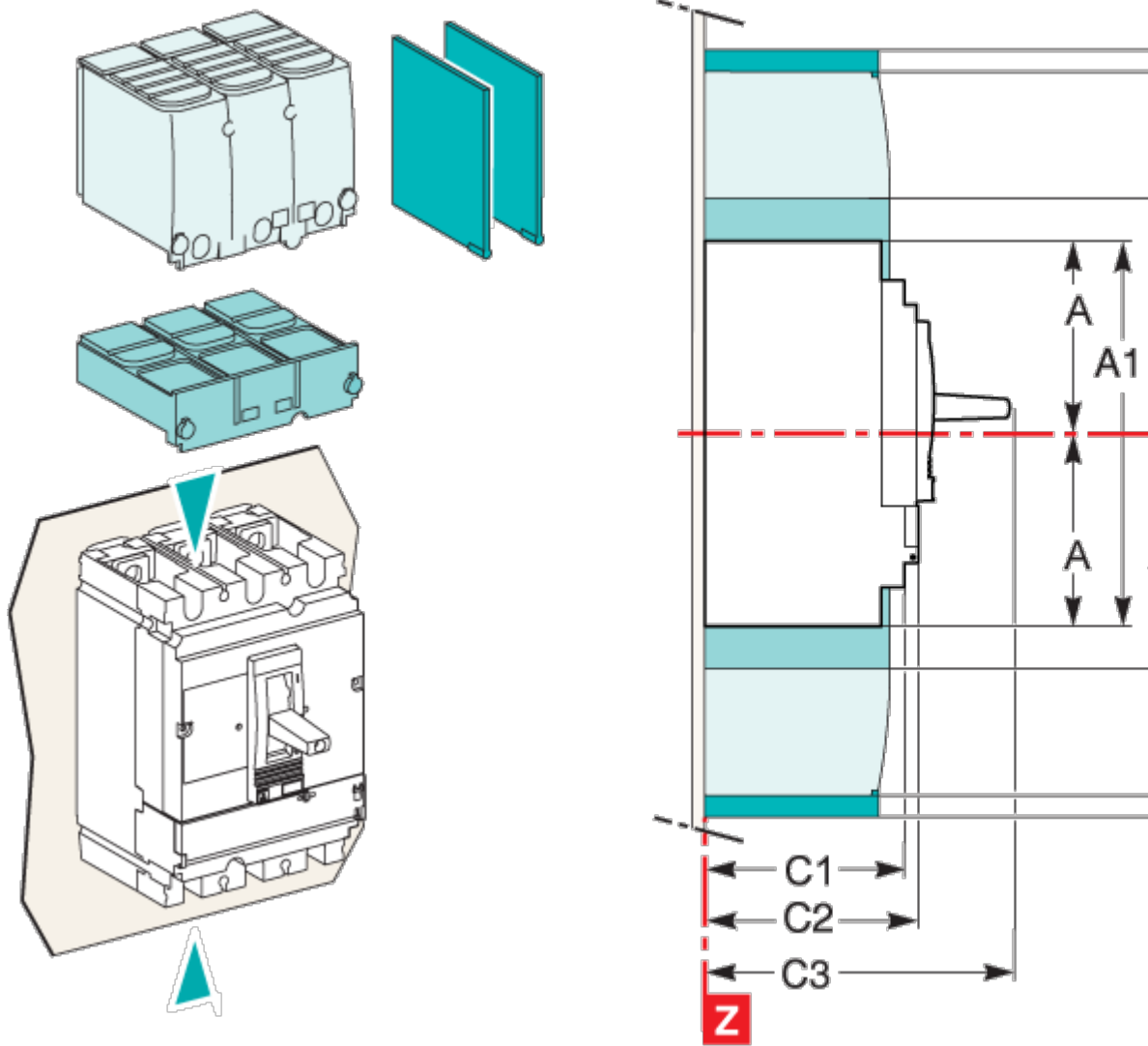
Eu Rohs Directive Compliant with Exemptions

China Rohs Regulation [China RoHS declaration](#)  
Product out of China RoHS scope. Substance declaration for your information

Environmental Disclosure [Product Environmental Profile](#)

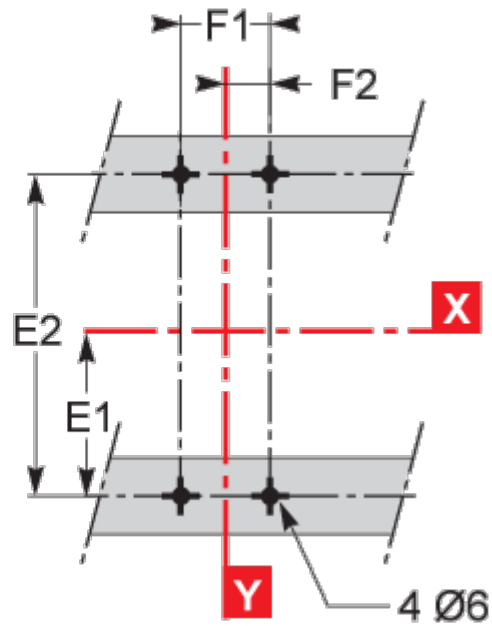
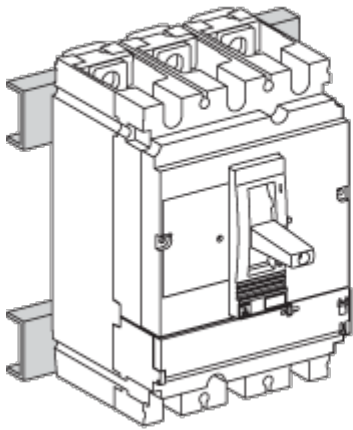
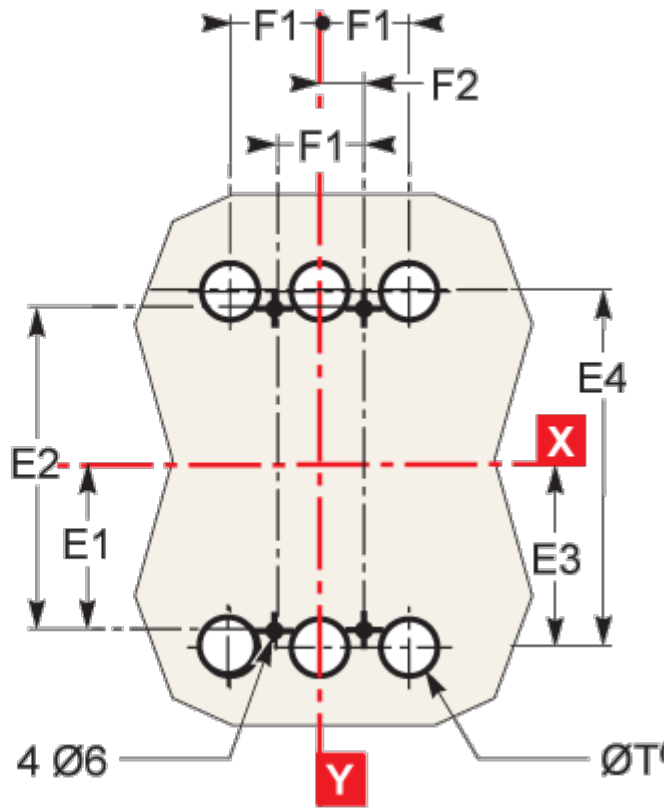
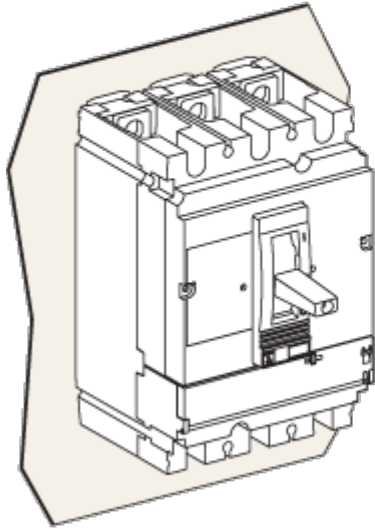
Weee The product must be disposed on European Union markets following specific waste collection and never end up in rubbish bins

Circularity Profile [End of Life Information](#)



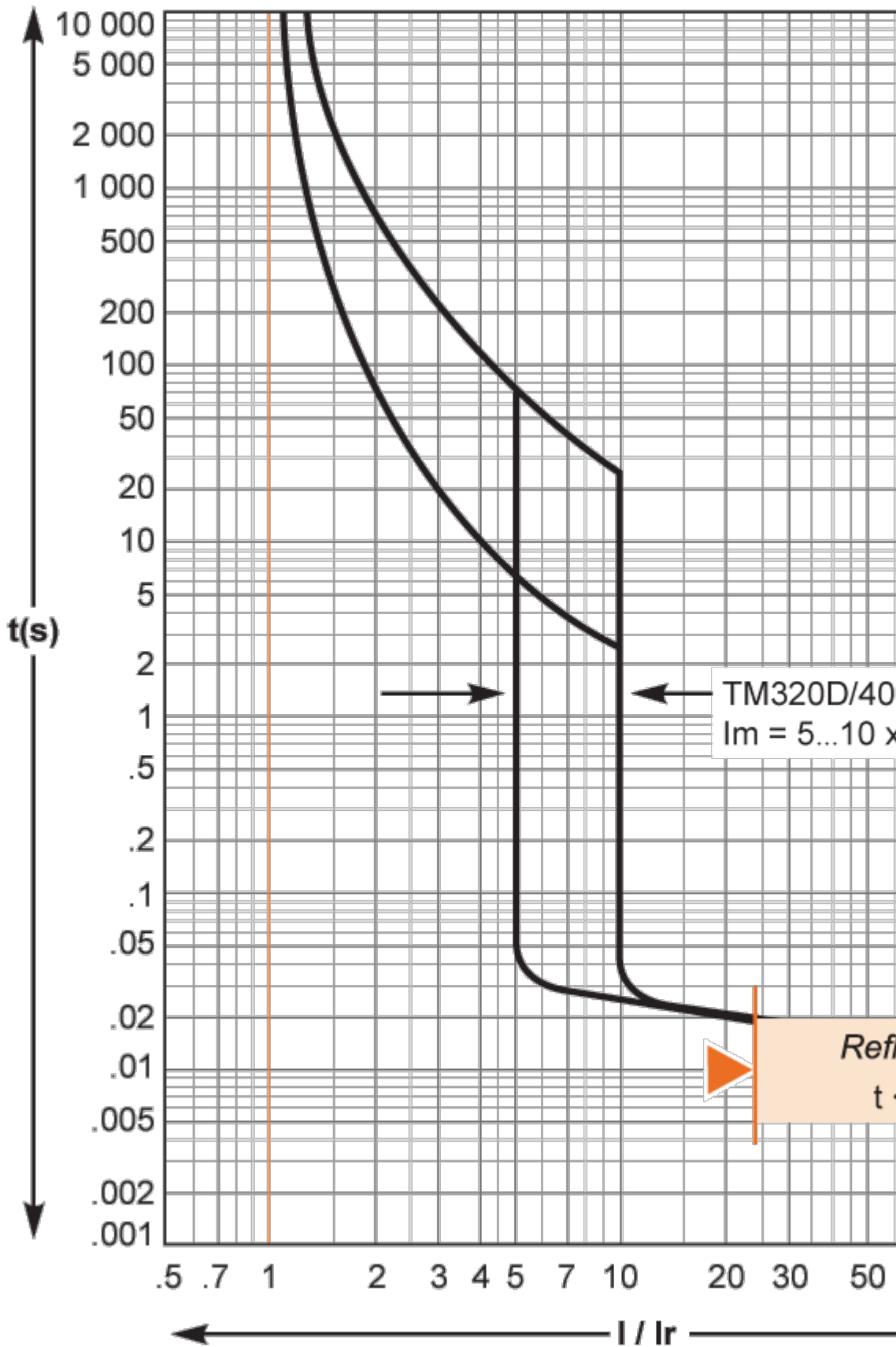
| Type          | A     | A1    | A2    | A3    | A4    | A5    | A6  | A7    | A8   | A9    | B    | B1  | B2   | C1   | C2   | C3                 | E1   |
|---------------|-------|-------|-------|-------|-------|-------|-----|-------|------|-------|------|-----|------|------|------|--------------------|------|
| CMS100M63/250 | 66.5  | 161   | 64    | 140   | 170.5 | 155.5 | 236 | 109   | 220  | 353.5 | 52.5 | 105 | 140  | 81   | 66   | 111 <sup>(1)</sup> | 62.5 |
| CMS400/630    | 127.5 | 355   | 142.5 | 300   | 297   | 277.5 | 355 | 342.5 | 300  | 337   | 70   | 140 | 185  | 95.5 | 110  | 168                | 100  |
| Type          | E2    | E3    | E4    | E5    | E6    | E7    | E8  | F1    | F2   | F3    | G1   | G2  | G3   | G4   | G5   | ØT                 | U    |
| CMS100M63/250 | 123   | 70    | 140   | 137.5 | 200   | 145   | 215 | 35    | 17.5 | 70    | 85   | 75  | 13.5 | 23   | 17.5 | 34                 | y32  |
| CMS400/630    | 200   | 113.5 | 227   | 200   | 300   | 213.5 | 327 | 45    | 22.5 | 80    | -    | -   | -    | -    | -    | 32                 | y35  |

<sup>(1)</sup> C3=126mm for EasyPost CMS250MF.



| Type           | A     | A1    | A2    | A3    | A4    | A5    | A6  | A7    | A8   | A9    | B    | B1  | B2   | C1   | C2   | C3                 | E1   |
|----------------|-------|-------|-------|-------|-------|-------|-----|-------|------|-------|------|-----|------|------|------|--------------------|------|
| CVS100/160/250 | 80.5  | 161   | 64    | 140   | 170.5 | 155.5 | 236 | 109   | 220  | 253.5 | 52.5 | 105 | 140  | 81   | 86   | 111 <sup>(1)</sup> | 82.5 |
| CVS400/630     | 127.5 | 255   | 142.5 | 200   | 287   | 237.5 | 355 | 242.5 | 300  | 337   | 70   | 140 | 185  | 95.5 | 110  | 168                | 100  |
| Type           | E2    | E3    | E4    | E5    | E6    | E7    | E8  | F1    | F2   | F3    | G1   | G2  | G3   | G4   | G5   | ØT                 | U    |
| CVS100/160/250 | 125   | 70    | 140   | 137.5 | 200   | 145   | 215 | 35    | 17.5 | 70    | 55   | 75  | 13.5 | 33   | 17.5 | 24                 | y32  |
| CVS400/630     | 200   | 113.5 | 227   | 200   | 300   | 213.5 | 327 | 45    | 22.5 | 90    | -    | -   | -    | -    | 32   | y35                |      |

<sup>(1)</sup> C3-126mm for EasyRect CVS250DF.



Dimensions

