



TC-C35US-A Spec:I8/A/E/Y/M/S/H/2.7-13.5mm/V4.0

-Qatar

5MP Motorized Auto Iris Starlight IR Bullet Camera

Pro Series



KEY FEATURES

- Metal housing
- Up to Max. resolution
- S+265/H.265/H.264B/H.264M/H.264H/motion JPEG
- Color:0.002Lux@(F1.6,AGC ON),B/W:0Lux with IR
- Smart IR,IR range 80m
- Built-in Mic
- Support microSD/microSDHC/microSDXC card, up to 512 GB
- Support smart surveillance, face capture
- Support human/vehicle classification
- Operating conditions -40°C~65°C
Humidity 95% or less (no condensation)
- DC12V±25%,Max. 9.5W,PoE 802.3af,Max.10.5W
- IP67,IK10

SPECIFICATIONS

Camera	
Image Sensor	1/2.7"CMOS
Min. Illumination	Color:0.002Lux@(F1.6,AGC ON),B/W:0Lux with IR
Shutter Time	1s~1/100000s
Day&Night	IR-cut filter with auto switch (ICR)
WDR	120dB
S/N	>39dB
Angle Adjustment	0~360°(P); 0~90°(T); 0~360°(R)
Lens	
Lens Type	Motorized
Focal Length	2.7~13.5mm
Lens Mount	Φ14
Aperture	Auto Iris,F1.6-F3.3,DC
Field of View	98.3°~32.2°(H); 54.9°~18.2°(V); 125.6°~37°(D)
DORI Distance	Detect:56m~240m Observe:22m~95m Recognize:11m~48m Identify:5.6m~24m
Illuminator	
IR LEDs	4
IR Distance	80m
Wavelength	850nm
Compression Standard	
Video Compression	S+265/H.265/H.264B/H.264M/H.264H/Motion JPEG
Video Bit Rate	32k~16Mbps
Audio Compression	G.711A/G.711U/ADPCM_D/AAC_LC
Audio Sampling Rate	8kHz/32kHz/48kHz
Image	
Main Stream	PAL:25fps(2880×1620, 2688×1520, 2560×1440, 2304×1296) 50fps(1920×1080, 1280×720) NTSC:30fps(2880×1620, 2688×1520, 2560×1440, 2304×1296) 60fps(1920×1080, 1280×720)
Sub Stream	PAL:25fps(704×576, 704×288, 352×288, 640×360) NTSC:30fps(704×480, 704×240, 352×240, 640×360)
Third Stream	PAL:25fps(1280×720, 704×576, 640×360, 704×288, 352×288) NTSC:30fps(1280×720, 704×480, 640×360, 704×240, 352×240)
BLC	Yes
HLC	Yes
AGC	Yes
3D DNR	Yes
White Balance	Auto/Semi-Auto/Manual/Sunshine/Nature Light/Warmlight Lamp/Daylight Lamp/Filament Lamp/Lock White Balance

ROI	8 rectangular static areas
Corridor mode	Yes
OSD	Overlay of additional characters in 5 regions, 2 lines, with a maximum of 127 characters or 42 Chinese characters per region; 16*16/32*32/48*48/64*64/96*96
Picture Overlay	1*200x200 size BMP 24 color bit image overlay
Privacy Mask	4 black static areas
Defog	Yes

Feature

Alarm Trigger	Motion Detection; Mask Alarm; Voltage Alarm; Disk Full; Disk R/W Error; IP Address Conflict; MAC Address Conflict; FTP Server Exception ; Event Input, Event Output
Linkage Method	send email; trigger sound; trigger recording; trigger capture; notify surveillance center
Video Analytics	Human/Vehicle Classification; Tripwire; Perimeter; Video Abnormal; Audio Abnormal
Rules of behavior analyse in 1 scene	8
Face Mode	Face Capture
Face Detection Performance	8; 4

Network

ANR	Yes
Protocols	HTTP; HTTPS; TCP/IP; UDP; UPnP; ICMP; IGMP; SNMP; DHCP; DNS; DDNS; Easy DDNS; NTP; SMTP; SSL; 802.1X; QoS; IPv4; IPv6; PPPOE; SSH; Unicast; Multicast; RTCP; ARP; SRTP; RTSP; FTP; SFTP; NAS
System Compatibility	ONVIF Profile S/T/G/M; CGI; Milestone; RTMP
Remote Connection	≤7
Client	Easy7 VMS
Mobile Client	EasyLive Plus

Interface

Communication Interface	1*RJ-45,10/100 Mbps self-adaptive Ethernet port
Audio I/O	1; 1
Alarm I/O	1-ch,TTL input,3mA,3.3VDC; 1-ch,TTL output,30mA,12VDC
Reset Button	Yes
On-board storage	Support microSD/microSDHC/microSDXC card, up to 512 GB
RTC	Yes

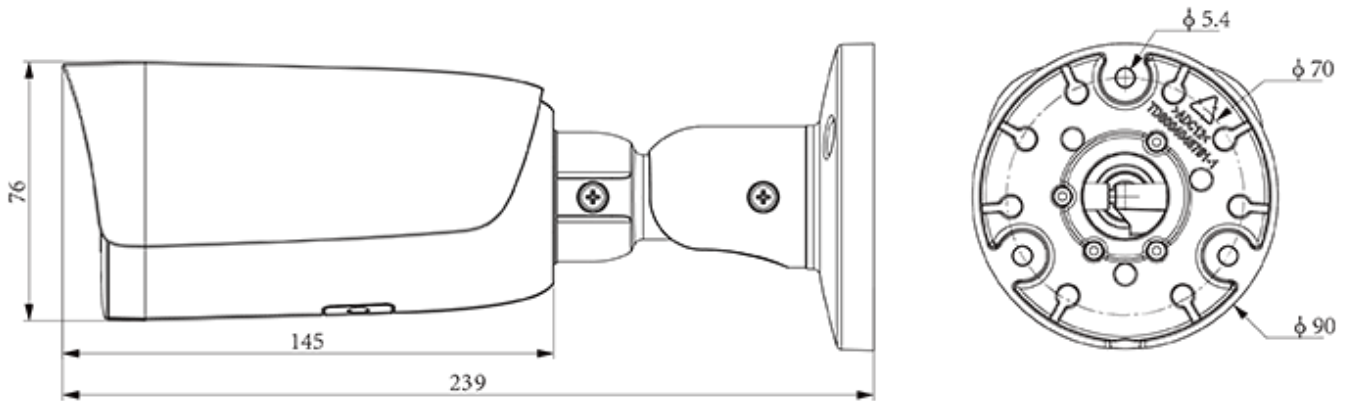
General

Web Client Language	19 languages Simple Chinese/Traditional Chinese/English/Spanish/Korean/Italian/Turkish/Russian/Thai/French/Polish/Dutch/Hebrew/Arabic/Vietnamese/German/Ukrainian/Portuguese/Albanian
Operating Temperature	-40°C~65°C
Operating Humidity	Humidity 95% or less (no condensation)
Storage Temperature	-40°C~65°C
Storage Humidity	Humidity 95% or less (no condensation)
Power Supply	DC12V±25%,Max. 9.5W; PoE 802.3af,Max. 10.5W
Protection	Surge4000V; ESD6000V; IP67,IK10
Boundary Dimensions	239(L)90(W)90(H)mm

Package Dimensions 280(L)125(W)140(H)mm

GrossWeight 1.28kg

DIMENSIONS (Unit: mm)



Assembly diagram of Junction Box



TC-P54BM Spec:V5



A36