

# Tiandy



TC-C38KS Spec: I2/E/2.8mm

## 8MP Starlight IR Dome Camera (2.8mm)



Pro Series

### KEY FEATURES

- Full Metal Housing
- Up to 3840×2160@20fps
- S+265/H.265/H.264/M-JPEG
- Min. illumination Color: 0.01Lux@F2.0
- Smart IR, IR Range: 20m
- Surge Protection 6KV
- Support Video Analytics
- Plugin Free
- Operating Conditions -35°~65°, 0~95% RH
- POE, IP66, IK10
- Support Realtime Brightness Function



**Tiandy Technologies Co.,Ltd.**

Email: [sales@tiandy.com](mailto:sales@tiandy.com)

Tel: +86-22-58596065

Website: [en.tiandy.com](http://en.tiandy.com)

Fax: +86-22-58596048



## SPECIFICATIONS

Camera	
Image Sensor	1/2.8" CMOS
Signal System	PAL/NTSC
Min. Illumination	Color: 0.01Lux@ (F2.0, ACG ON), B/W: 0Lux with IR
Shutter Time	1s to 1/100,000s
Day & Night	Dual IR Cut Filter with Auto Switch
Wide Dynamic Range	120dB
Angle Adjustment	pan 0~330°, tilt 0~75°, roate 0~350°
Lens	
Lens Type	Fixed
Focus	2.8mm
Lens Mount	M12
Aperture	F2.0, Fixed
FOV	Horizontal field of view: 101.3°
Illuminator	
IR LEDs	8
IR Range	Up to 20m
Wavelength	850nm
White LEDs	N/A
Compression Standard	
Video Compression	S+265/H.265/H.264/M-JPEG
Video Bit Rate	32Kbps~16Mbps
Audio Compression	G.711A/G.711U/ADPCM/AAC
Audio Bit Rate	8K~48Kbps
Image	
Max. Resolution	3840x2160
Main Stream	PAL: 20fps (3840×2160), 25fps (3072×1728, 2560×1440, 1920×1080, 1280×960) NTSC: 20fps (3840×2160), 30fps (3072×1728, 2560×1440, 1920×1080, 1280×960)
Sub Stream	PAL: 25fps (704×576, 704×288, 640×360, 352×288) NTSC: 30fps (704×480, 704×240, 640×360, 352×240)
Third Stream	720P
Image Setting	Saturation, brightness, contrast, sharpness, adjustable by client software or web browser
Image Enhancement	BLC/3D DNR/HLC/Corridor Format
ROI	Support 7 fixed region of coding
OSD	16×16, 24×24, 32×32, 48×48, 64×64, 96×96, adaptable size, Letters Such as Week, Date, Time, Total 5 Regions
Picture Overlay	Yes
Privacy Mask	Yes
Smart Defog	Yes
Feature	
Alarm Trigger	Motion Detection, Mask Alarm, Disk Full, Disk R/W Error, IP Address Conflict, MAC Address Conflict, FTP Server Exception



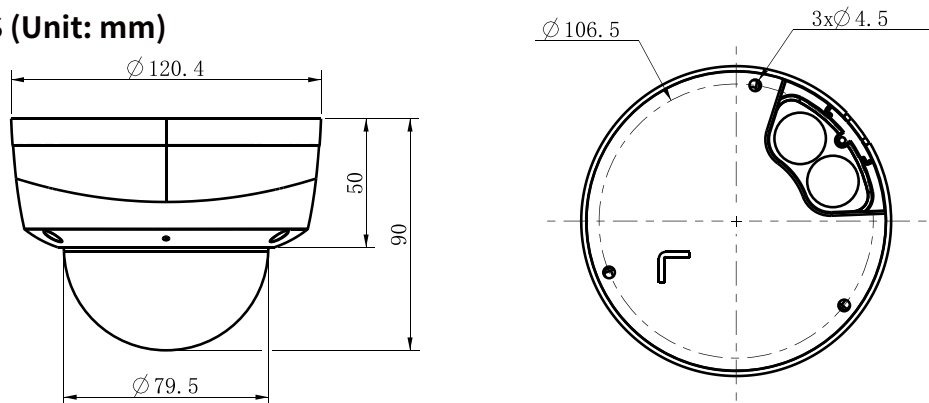
<b>Video Analytics</b>	Tripwire, Double Tripwire, Perimeter, Object Abandon, Object Lost, Loitering, Running, Parking, Crowded, Video Abnormal, Audio Abnormal, Heat Map
<b>Early Warning(EW)</b>	N/A
<b>Intelligent Coding</b>	N/A
<b>Intelligent Image</b>	N/A
<b>Intelligent Alarm</b>	N/A
<b>Network</b>	
<b>ANR</b>	Yes, auto store video in SD card when NVR disconnected, and upload video to NVR when resumed connection (Only Support Tiandy ANR NVR)
<b>Protocols</b>	TCP/IP, ICMP, HTTP, HTTPS, DHCP, DNS, DDNS, MULTICAST, UPnP, FTP, IPV4, NTP, RTSP, SMTP, IGMP, QoS, PPPoE
<b>System Compatibility</b>	ONVIF (PROFILE S/T), SDK, CGI, P2P
<b>Remote Connection</b>	≤7
<b>Client</b>	Easy7, EasyLive
<b>Web Version</b>	Web6
<b>Interface</b>	
<b>Communication Interface</b>	1 RJ45 10M/ 100M self adaptive Ethernet port
<b>Audio (In/Out)</b>	1/0, Mic in
<b>Alarm (In/Out)</b>	N/A
<b>Reset Button</b>	Yes
<b>On-board storage</b>	Built-in MicroSD card slot, up to 128 GB
<b>General</b>	
<b>Firmware Version</b>	-
<b>Web Client Language</b>	15 languages English, Russian, Spanish, Korean, Italian, Turkish, Simple Chinese, Traditional Chinese, Thai, French, Polish, Dutch, Hebraism, Farsi, Arabic
<b>Operating Conditions</b>	-35°C ~ 65°C, 0 ~ 95% RH
<b>Power Supply</b>	DC12V±20%/PoE (IEEE802.3af)
<b>Power Consumption</b>	MAX: 5.5W(12V) MAX: 6.5W(POE)
<b>Protection</b>	IP66, IK10
<b>Heater</b>	N/A
<b>Dimensions</b>	Φ120×90 mm (Φ4.72*3.54 inch)
<b>Weight</b>	0.45Kg (0.99lb)
<b>Certification</b>	CE, FCC

\* Listed resolutions are only selectable options. It does not mean that all streams can work at their maximum resolution at the same time.

## AVAILABLE MODEL

## TC-C38KS SPEC: I2/E/2.8MM

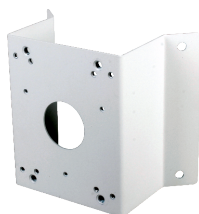
## DIMENSIONS (Unit: mm)



## ACCESSORIES



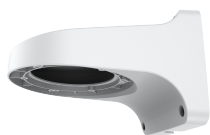
A36  
Pole Mount



A35  
Corner Mount



811  
Junction Box



A29  
Wall Mount



A21  
Corner Pole Mount



A23  
Mount Adapte



A20  
Pendant Mount

DISTRIBUTED BY



**Tiandy Technologies Co.,Ltd.**

Email: [sales@tiandy.com](mailto:sales@tiandy.com)  
Website: [en.tiandy.com](http://en.tiandy.com)

Tel: +86-22-58596065  
Fax: +86-22-58596048