



TC-C38WS Spec:I5/E/Y/M/4mm/V4.0

Bullet Camera

Lite Series



KEY FEATURES

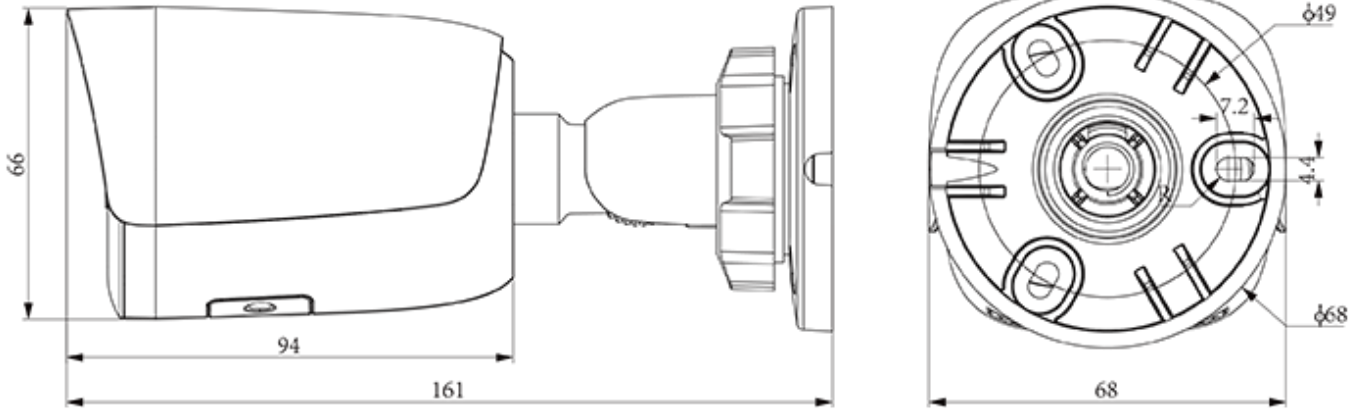
- Metal housing
- Up to Max. Resolution
- S+265/H.265/H.264B/H.264M/H.264H/Motion JPEG
- Color:0.002Lux@(F1.6,AGC ON),B/W:0Lux with IR
- IR Range 50m
- Built-in Mic
- Support microSD/microSDHC/microSDXC card, up to 512 GB
- Support Smart surveillance
- Support Human/Vehicle Classification
- Operating Conditions -40°C~65°C(No turning on the light), Humidity 95% or less (no condensation)
- DC12V±25%,MAX 6.5W, POE 802.3af,MAX 8W
- IP67

SPECIFICATIONS

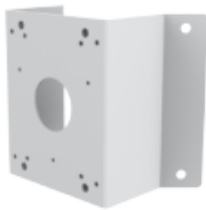
Camera	
Image Sensor	1/2.8"CMOS
Min. Illumination	Color:0.002Lux@(F1.6,AGC ON),B/W:0Lux with IR
Shutter Time	1s~1/100000s
Day&Night	IR-cut filter with auto switch (ICR)
WDR	120dB
S/N	>42dB
Angle Adjustment	0~360°(P); 0~90°(T); 0~360°(R)
Lens	
Lens Type	Fixed focal lens
Focal Length	4mm
Lens Mount	M12
Aperture Range	F1.6
Field of View	87.8°(H); 45.1°(V); 98.7°(D)
DORI Distance	Detect:110m Observe:43.5m Recognize:22m Identify:11m
Illuminator	
IR LEDs	2
IR Distance	50m
Wavelength	850nm
Compression Standard	
Video Compression	S+265/H.265/H.264B/H.264M/H.264H/Motion JPEG
Video Bit Rate	32k~16Mbps
Audio Compression	G.711A/G.711U/ADPCM_D/AAC_LC
Audio Sampling Rate	8kHz/32kHz/48kHz
Image	
Main Stream	PAL:20fps(3840×2160, 3072×2048), 25fps(2560×1440, 2304×1296, 1920×1080, 1280×720) NTSC:20fps(3840×2160, 3072×2048), 30fps(2560×1440, 2304×1296, 1920×1080, 1280×720)
Sub Stream	PAL:25fps(704×576, 704×288, 352×288, 640×360) NTSC:30fps(704×480, 704×240, 352×240, 640×360)
Third Stream	PAL:25fps(704×576, 704×288, 352×288, 640×480) NTSC:30fps(704×480, 704×240, 352×240, 640×360)
BLC	Yes
HLC	Yes
AGC	Yes
3D DNR	Yes
White Balance	Auto/Semi-Auto/Manual/Sunshine/Nature Light/Warmlight Lamp/Daylight Lamp/Filament Lamp/Lock White Balance

ROI	8 rectangular static areas
Corridor mode	Yes
OSD	Overlay of additional characters in 5 regions, 1 line, with a maximum of 127 characters or 42 Chinese characters per region; 16*16/32*32/48*48/64*64/96*96
Picture Overlay	1*200x200 size BMP 16 color bit image overlay
Privacy Mask	4 black static areas
Defog	Yes
Feature	
Alarm Trigger	Motion Detection; Mask Alarm; Voltage Alarm; Disk Full; Disk R/W Error; IP Address Conflict; MAC Address Conflict; FTP Server Exception
Linkage Method	send email; trigger recording; trigger capture; notify surveillance center
Video Analytics	Human/Vehicle Classification; Tripwire; Perimeter
Rules of behavior analyse in 1 scene	8
Network	
ANR	Yes
Protocols	HTTP; HTTPS; TCP/IP; UDP; UPnP; ICMP; IGMP; SNMP; DHCP; DNS; DDNS; Easy DDNS; NTP; SMTP; SSL; 802.1X; QoS; IPv4; IPv6; PPPOE; SSH; Unicast; Multicast; RTCP; ARP; SRTP; RTSP; FTP; SFTP; NAS
System Compatibility	ONVIF Profile S/T/G; CGI; Milestone; RTMP
Remote Connection	≤2
Client	Easy7 Smart Client
Moblle Client	EasyLive Plus
Interface	
Communication Interface	1*RJ-45,10/100 Mbps self-adaptive Ethernet port
Reset Button	Yes
On-board storage	Support microSD/microSDHC/microSDXC card, up to 512 GB
RTC	Yes
General	
Web Client Language	19 languages Simple Chinese/Traditional Chinese/English/Spanish/Korean/Italian/Turkish/Russian/Thai/French/Polish/Dutch/Hebrew/Arabic/Vietnamese/German/Ukrainian/Portuguese/Albanian
Operating Temperature	-40°C~65°C(No turning on the light)
Operating Humidity	Humidity 95% or less (no condensation)
Storage Temperature	-40°C~65°C
Storage Humidity	Humidity 95% or less (no condensation)
Power Supply	DC12V±25%,MAX 6.5W; POE 802.3af,MAX 8W
Protection	Surge4000V; ESD6000V; IP67
Boundary Dimensions	160(L)73(W)73(H)mm
Package Dimensions	215(L)95(W)120(H)mm
GrossWeight	0.65kg

DIMENSIONS (Unit: mm)



Assembly diagram of Junction Box



A35
CORNER MOUNT



TC-P54BM SPEC: V5
JUNCTION BOX



A36
POLE MOUNT