



TC-H3169M Spec:63X/LW/P/A/AR

PTZ Camera

Pro Series



KEY FEATURES

- Up to Panorama:5520×2400@25fps Detail: 2560×1440@25fps
- Panorama:0.0004lux Detail:0.001lux
- Panorama:S+265/H.265/H.264/M-JPEG Detail:S+265/H.265/H.264/M-JPEG
- Built-in Micro SD card slot, up to 512 GB
- Support Panorama: Smart surveillance Detail: Smart surveillance
- Support Panorama:Human/Vehicle Classification Detail:Human/Vehicle Classification
- Operating Conditions -40°C~70°C(IR OFF) -40°C~40°C(IR ON), 0~95%
- DC36V±25%
- IP66

SPECIFICATIONS

Camera	
Image Sensor	Panorama:1/1.8"CMOS Detail:1/1.8"CMOS
Min. Illumination	Panorama:0.0004lux Detail:0.001lux
Shutter Time	1s~1/100000s
Day&Night	IR-cut filter with auto switch (ICR)
WDR	Panorama:DWDR Detail:120dB
Lens	
Focal Length	Panorama:2.8mm Detail:5.7mm~359mm
Optical Zoom	Panorama:N/A Detail:63X
Digital Zoom	Panorama:N/A Detail:16X
Zoom Speed	Panorama:N/A Detail:<8s
Aperture Range	Panorama:F1.0 Detail:F1.63~F4.94
Field of View	Panorama:180°±10°(H) Detail:60°~1.5°(H); Panorama:90°±10°(V) Detail:35.5°~0.87°(V); Panorama:N/A Detail:67.5°~1.77°(D)
Focus Control	Panorama: N/A Detail:Auto/Semi-auto/Manual
Iris Control	Panorama:Fixed Detail:Auto
Close Focus Distance	Panorama:200mm Detail:1000mm~3000mm
DORI Distance	Panorama: Detect:63m Observe:25m Recognize:12m Identify:6m Detail: Detect:3800m Observe:1508m Recognize:760m Identify:380m
Pan&Tilt	
Pan Range	Panorama:N/A Detail:360°
Tilt Range	Detail:-21°~90° (Default -13°~90°)
Tilt Speed	Detail: Manual Speed:0.1°~120°/s Preset: 180°/s
3D Position	Yes
Preset	500

Cruise	16, up to 32 presets per cruise
Scan	8
Pattern	8, each with 600s memory or 1000 orders
Scheduled Task	Preset, Cruise, Scan, Pattern
North Point	Yes
Power-off Memory	Yes
Preset Freezing	Yes

Illuminator

IR LEDs	Panorama: N/A Detail:11
IR Distance	Panorama: N/A Detail:300m
Wavelength	Panorama: N/A Detail:850nm
IR Irradiation Angle	Panorama:N/A Detail:Adjustable by Zoom
White LEDs	Panorama:N/A Detail:2
Whitelight Distance	Panorama:N/A Detail:30m
Red and blue alarm flash	Yes
Laser	Panorama:N/A Detail:6
Laser Distance	Panorama:N/A Detail:500m

Compression Standard

Video Compression	Panorama:S+265/H.265/H.264/M-JPEG Detail:S+265/H.265/H.264/M-JPEG
Video Bit Rate	Panorama:32Kbps~16Mbps Detail:32Kbps~16Mbps
Audio Compression	G.711A/G.711U/ADPCM_D/AAC_LC
Audio Sampling Rate	8KHz/32KHz/48KHz

Image

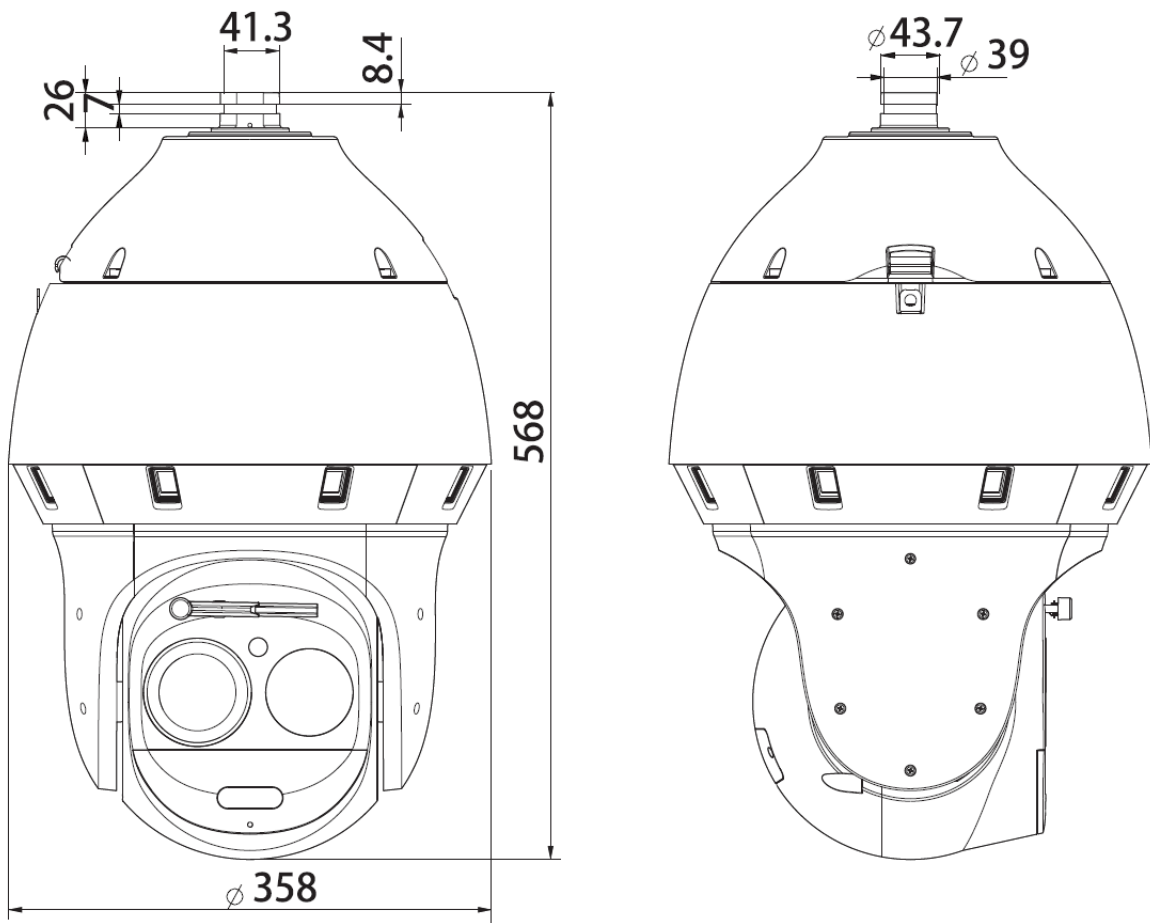
Max. Resolution	Panorama:5520×2400@25fps Detail:2560×1440@25fps
Main Stream	Panorama: PAL:25fps(5520×2400, 4096×1800, 3840×1680, 2784×1200) NTSC:30fps(5520×2400, 4096×1800, 3840×1680, 2784×1200) Detail: PAL:25fps(2560×1440, 2304×1296, 1920×1080, 1280×720) NTSC:30fps(2560×1440, 2304×1296, 1920×1080, 1280×720)

Sub Stream	Panorama: PAL:25fps(2048×896, 1280×560, 704×320) NTSC:30fps(2048×896, 1280×560, 704×320) Detail: PAL:25fps(704×576, 704×288, 352×288, 640×360) NTSC:30fp(704×480, 704×240, 352×240, 640×360)
Third Stream	Panorama: PAL:25fps(1280×560) NTSC:30fps(1280×560) Detail: PAL:25fps(704×576, 704×288, 352×288, 640×480) NTSC:30fps(704×480, 704×240, 352×240, 640×480)
BLC	Yes
HLC	Yes
AGC	Yes
White Balance	Yes
ROI	Panorama: 7 Fixed Areas for Both Main and Sub Stream Detail 7 rectangular 3D fixed focus areas, supporting 1 rectangular dynamic tracking ROI
EIS	Panorama:N/A Detail:Yes
OSD	5 regions(Each region can have a maximum of 127 characters,up to 5 lines); Panorama: 16*16/24*24/32*32/48*48/64*64/72*72/96*96/128*128/adaptable size Detail: 16*16/24*24/32*32/48*48/64*64/96*96/adaptable size; Vector/Lattice
Defog	Yes
Flip	Panorama:Normal Detail:Normal/Inverted Flip
Regional Exposure	Panorama:N/A Detail:Yes
Regional Focus	Panorama:N/A Detail:Yes
Demist	Yes
Privacy Mask	Panorama:8 regions Detail:24 regions
Feature	
Alarm Trigger	Panorama:Motion Detection Detail:Motion Detection; Panorama:N/A Detail:Mask Alarm; Disk Full; Disk R/W Error; Recording Exception; IP Address Conflict; MAC Address Conflict; FTP Server Exception ; Event Input,Event Output; Network cable disconnected
Linkage Method	send email; trigger sound; trigger warnlight; trigger recording; trigger capture; notify surveillance center

Video Analytics	Panorama:Human/Vehicle Classification Detail:Human/Vehicle Classification; Panorama:Tripwire Detail:Tripwire; Panorama:Double Tripwire Detail:Double Tripwire; Panorama:Perimeter Detail:Perimeter; Panorama:N/A Detail:Object Abandon; Panorama:N/A Detail:Object Lost; Panorama:Heatmap Detail:N/A; Panorama:N/A Detail:Loitering; Panorama:N/A Detail:Running; Panorama:N/A Detail:Parking; Panorama:N/A Detail:People Counting; Panorama:N/A Detail:Crowded; Panorama:N/A Detail:Safety Helmet Detection; Panorama:N/A Detail:On Duty Detection; Panorama:N/A Detail:Video Abnormal; Panorama:N/A Detail:Audio Abnormal
Early Warning(EW)	Early Warning(EW)
Auto-Tracking	Auto-Tracking
Face Mode	Panorama:N/A Detail:Capture facial images
Network	
ANR	ANR
Protocols	HTTP; HTTPS; TCP/IP; UDP; UPnP; ICMP; IGMP; SNMP v1; DHCP; DNS; DDNS; Easy DDNS; NTP; SMTP; TLS; SSL; 802.1x; QoS; IPv4; IPv6; PPPOE; Unicast; Multicast; ARP; RTP; SRTP; RTSP; FTP; SFTP; NAS; PING
System Compatibility	ONVIF Profile S/T/G/M; CGI; RTMP
Remote Connection	≤7
User/Host	Up to 32 users. 4 user levels
Client	Easy7 Smart Client
Interface	
Communication Interface	1*RJ45 10M/100M/1000M self adaptive Ethernet port
Audio I/O	1*Input Impedance 1kΩ,2.0~2.4Vp-p; 1*Output Impedance 600Ω
Alarm I/O	8,Switching; 2,Switching,Voltage≤DC24V,Current≤1A
Reset Button	Yes
On-board storage	Built-in Micro SD card slot, up to 512 GB
RS-485	RS485
Wiper	Yes
Electronic Compass	Yes
General	
Web Client Language	17 languages Simple Chinese/English/Traditional Chinese/Spanish/Italian/ Korean/Turkish/Russian/Thai/ Polish/French/Dutch/ Hebraism/Vietnamese/Arabic/German/Ukrainian

Operating Temperature	-40°C~70°C(IR OFF) -40°C~40°C(IR ON)
Operating Humidity	0~95%
Storage Temperature	-40°C~70°C
Storage Humidity	0~95%(non-condensing)
Power Supply	DC36V±25%
Protection	Surge protection 4000V; Lightning proof 6000V; IP66
Material	Metal
Boundary Dimensions	358mm(D)x568mm(H)
Package Dimensions	565(L)*485(W)*750(H)mm
GrossWeight	21.7kg
NetWeight	14.8kg

DIMENSIONS (Unit: mm)



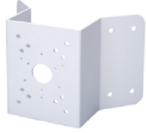
Assembly diagram of Junction Box



DF21Y



811



A35



DF21Y



A36