



## TC-H334S Spec:I5W/C/WIFI/4mm/V4.1

PT Camera

Wi-Fi Series



### KEY FEATURES

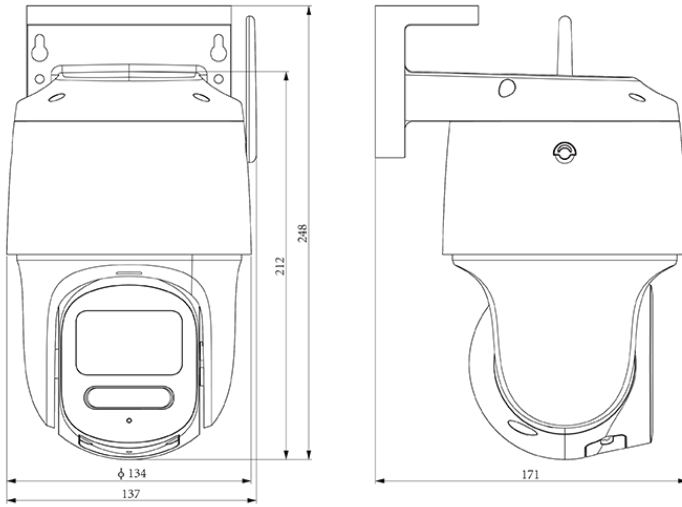
- Metal+plastic housing
- Up to Max. Resolution
- S+265/H.265/H.264B/H.264M/H.264H
- Color:0.02Lux@(F1.6,AGC ON),B/W:0Lux with IR
- IR Range 50m
- Built-in Mic, Built-in Speaker
- Support microSD/microSDHC/microSDXC card, up to 512 GB
- Support Smart surveillance
- Operating Conditions -30°C~60°C(No turning on the light), Humidity 95% or less (no condensation)
- DC12V±25%,MAX 12W
- IP66

## SPECIFICATIONS

| Camera               |   |
|----------------------|---|
| Image Sensor         | 1/2.8"CMOS  |
| Min. Illumination    | Color:0.02Lux@(F1.6,AGC ON),B/W:0Lux with IR  |
| Shutter Time         | 1s~1/100000s  |
| Day&Night            | IR-cut filter with auto switch (ICR)  |
| WDR                  | DWDR  |
| S/N                  | >38dB   |
| Angle Adjustment     | 0~340°(P); 15~110°  |
| Lens                 |   |
| Lens Type            | Fixed focal lens  |
| Focal Length         | 4mm   |
| Lens Mount           | M12   |
| Aperture Range       | F1.6  |
| Field of View        | 87.7°(H); 46.7°(V); 98.6°(D)  |
| DORI Distance        | Detect:65.3m<br>Observe:25.9m<br>Recognize:13.1m<br>Identify:6.5m   |
| Illuminator          |   |
| IR LEDs              | 2   |
| IR Distance          | 50m   |
| Wavelength           | 850nm   |
| White LEDs           | 2   |
| Whitelight Distance  | 15m   |
| Compression Standard |   |
| Video Compression    | S+265/H.265/H.264B/H.264M/H.264H  |
| Video Bit Rate       | 32k~4Mbps   |
| Audio Compression    | G.711A/G.711U   |
| Audio Sampling Rate  | 8kHz/16kHz  |
| Image                |   |
| Main Stream          | PAL:25fps(2304×1296, 1920×1080, 1280×720, 704×576, 640×480)<br>NTSC:24fps(2304×1296), 30fps(1920×1080, 1280×720, 704×480, 640×480)      |
| Sub Stream           | PAL:25fps(704×576, 704×288, 352×288, 640×360)<br>NTSC:30fps(704×480, 704×240, 352×240, 640×360)   |
| BLC                  | Yes   |
| HLC                  | Yes   |
| AGC                  | Yes   |
| 3D DNR               | Yes   |
| White Balance        | Auto/Semi-Auto/Manual/Sunshine/Nature Light/Warmlight Lamp/Daylight Lamp/Filament Lamp/Lock White Balance                               |
| OSD                  | Overlay of additional characters in 1 regions, 1 line, with a maximum of 48 characters or 16 Chinese characters per region; 16*16/32*32 |

|                         |  |
|-------------------------|--|
| Privacy Mask            | 4 black static areas   |
| Defog                   | Yes  |
| <b>Feature</b>          |  |
| Alarm Trigger           | Voltage Alarm; Disk Full; Disk R/W Error; IP Address Conflict                                    |
| Linkage Method          | trigger sound; trigger warmlight; trigger recording; trigger capture; notify surveillance center |
| Auto-Tracking           | Auto-Tracking  |
| <b>Network</b>          |  |
| ANR                     | Yes  |
| Protocols               | HTTP; TCP/IP; UDP; ICMP; DHCP; DNS; NTP; IPv4; Telnet; Unicast; RTSP; FTP                        |
| System Compatibility    | ONVIF Profile S/T/G; CGI; Milestone  |
| Remote Connection       | ≤2   |
| Client                  | Easy7 Smart Client   |
| Moblle Client           | EasyLive Plus  |
| <b>Wi-Fi</b>            |  |
| Transmission distance   | Up tp 30m( based on actual environment)  |
| Wireless standard       | IEEE802.11b/ 802.11g/802.11n   |
| Frequency range         | 2.4 GHz ~ 2.4835 GHz   |
| Channel bandwidth       | 20/40MHz   |
| Wi-Fi security          | WPA-PSK/WPA2-PSK   |
| <b>Interface</b>        |  |
| Communication Interface | 1*RJ-45,10/100 Mbps self-adaptive Ethernet port  |
| Reset Button            | Yes  |
| On-board storage        | Support microSD/microSDHC/microSDXC card, up to 512 GB   |
| <b>General</b>          |  |
| Web Client Language     | 2 languages<br>English/Turkish   |
| Operating Temperature   | -30°C~60°C(No turning on the light)  |
| Operating Humidity      | Humidity 95% or less (no condensation)   |
| Storage Temperature     | -30°C~60°C(No turning on the light)  |
| Storage Humidity        | Humidity 95% or less (no condensation)   |
| Power Supply            | DC12V±25%,MAX 12W  |
| Protection              | Surge4000V; ESD6000V; IP66   |
| Boundary Dimensions     | 264(L)165(W)140(H)mm   |
| Package Dimensions      | 185(L)155(W)285(H)mm   |
| GrossWeight             | 1.22kg   |

## DIMENSIONS (Unit: mm)



## Assembly diagram of Junction Box