

DIGITAL FREQUENCY METER



FEATURES

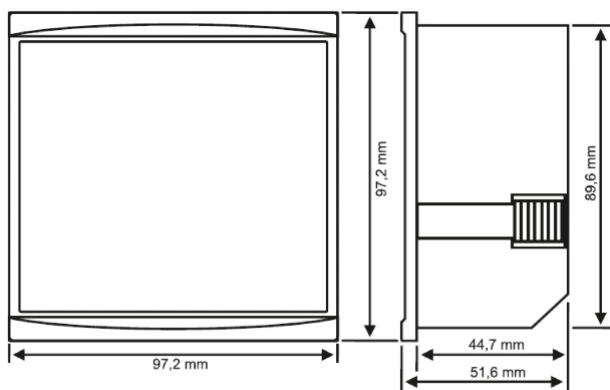
Accuracy:	±1% (at 10%-100% of the full scale)
Ambient temperature (operation):	-20 C ~ +55 C
Operating Altitude	< 2000 m
Ambient Humidity (operation):	15% - 95%
Weight:	0.22 kg max
Insulation Class (Front Panel):	IP41
Depth :	44.7 mm (low depth)
Panel Hole Size	91x91 (VK-F96, 68x68(VK-A72))

TECHNICAL DATA

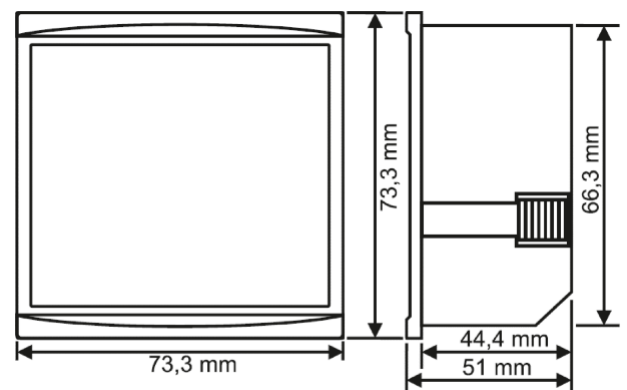
Operating Voltage (Un):	150-260VAC
Operating Frequency:	50 / 60 Hz
Operating Power:	<4 VA
Input Measuring Range:	1-400 Hz
Wire Thickness:	1.5 mm ²

RANGE

VK-F72	Digital Frequency 72 x 72
VK-F96	Digital Frequency 96 x 96



VK-F96



VK-F72